

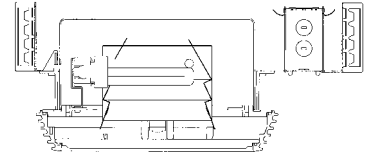
Job:  
 Type:  
 Notes:

# Designer Canopy

Page 1 of 3

## 220 / 221 Series Recessed Luminaires Including 220EM / 221EM Series Emergency Recessed

The Philips Gardco Designer Canopy luminaire is a family of downlight and wall wash ceiling mounted luminaires utilizing high intensity discharge and compact fluorescent lamps. The contemporary form housing is available in a variety of architectural finishes assuring compatibility with the building. Downlight optical systems are offered with prismatic or fresnel lenses and the wall washer is offered with a prismatic lens. The Designer Canopy luminaire is suitable for outdoor applications and features rugged die cast construction, silicone seals and gaskets, and polyester powdercoat finishes.



PREFIX	DISTRIBUTION	WATTAGE	VOLTAGE	FINISH	OPTIONS

Enter the order code into the appropriate box above. Note: Gardco reserves the right to refuse a configuration. Not all combinations and configurations are valid. Refer to notes below for exclusions and limitations. For questions or concerns, please consult the factory.

### PREFIX

- 220** Downlight
- 221** Wall Wash
- 220EM<sup>1</sup>** Emergency Downlight
- 221EM<sup>1</sup>** Emergency Wall Wash

1. Emergency luminaires are available in 42TRF only, 120V or 277V only.

### DISTRIBUTION

- P** Prismatic Lens
- F** Fresnel Lens Available with 220 units only

### WATTAGE

Pulse Start MH Magnetic Ballast	<b>50MH<sup>2</sup></b>	<b>100MH</b>
Ceramic Pulse Start MH Electronic Ballast	<b>50CMHE<sup>3,4</sup></b>	<b>100CMHE<sup>3,4</sup></b>
Standard MH Magnetic Ballast*	<b>175MH*</b>	<b>150CMHE<sup>3,4</sup> (E)</b>
High Pressure Sodium Magnetic Ballast	<b>50HPS</b>	<b>100HPS</b>
Compact Fluorescent Electronic Ballast	<b>70HPS</b>	<b>150HPS<sup>2</sup></b>
	<b>26QF<sup>3</sup></b>	<b>32TRF<sup>3</sup> 42TRF<sup>3</sup></b>
* 175MH not available for sale in the United States.		
<div style="display: flex; align-items: center;"> <div style="border: 1px solid black; border-radius: 50%; width: 20px; height: 20px; display: flex; align-items: center; justify-content: center; margin-right: 5px;">E</div> <div>Wattages marked with Circle "E" meet federal energy efficiency standards applicable to 150 watt through 500 watt metal halide luminaires only.</div> </div>		

### VOLTAGE

- UNIV** 120V through 277V, 50hz to 60hz, input.
- 120**
- 277**
- 347** Consult factory for 347V availability prior to ordering.  
Not available in Ceramic Metal Halide with Electronic Ballast (CMHE) types.

2. ANSI S55.
3. 220 and 221 fluorescent and CMHE luminaires feature electronic ballasts that accept 120V through 277V, 50hz to 60hz, input. Specify "UNIV" voltage for 120V through 277V. Consult Factory for 347V. 220EM and 221EM luminaires are available in 42TRF only, 120V or 277V only.
4. Electronic ballast brand specified by Philips Gardco only.
5. Available in 120V or 277V only.

# Designer Canopy

## 220 / 221 Series Recessed Luminaires

Page 2 of 3

### FINISH

<b>BRP</b>	Bronze Paint
<b>BLP</b>	Black Paint
<b>WP</b>	White Paint
<b>NP</b>	Natural Aluminum Paint
<b>BGP</b>	Beige Paint
<b>OC</b>	Optional Color Paint Specify Optional Color or RAL ex: OC-LGP or OC-RAL7024.
<b>SC</b>	Special Paint Specify. Must supply color chip.

### OPTIONS

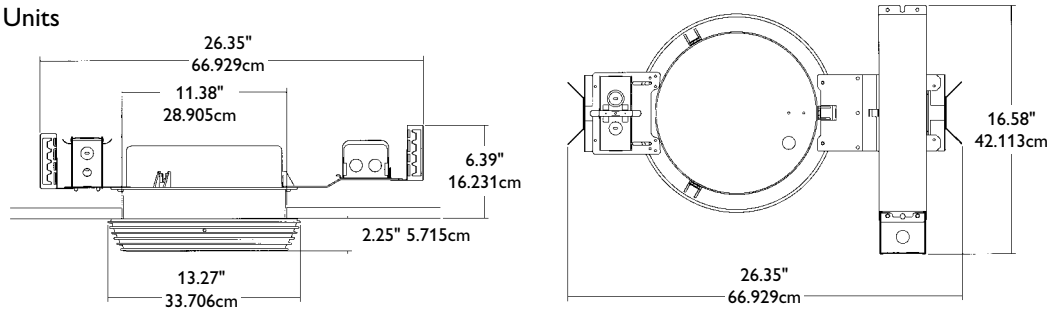
<b>F<sup>5</sup></b>	Fusing
<b>RS</b>	Tamper Resistant Hardware
<b>QS<sup>6</sup></b>	Quartz Standby
<b>QST<sup>6</sup></b>	Quartz Restrike Timed Delay

5. Not available with EM luminaires, 347V or Ceramic Metal Halide with Electronic Ballast (CMHE) types.

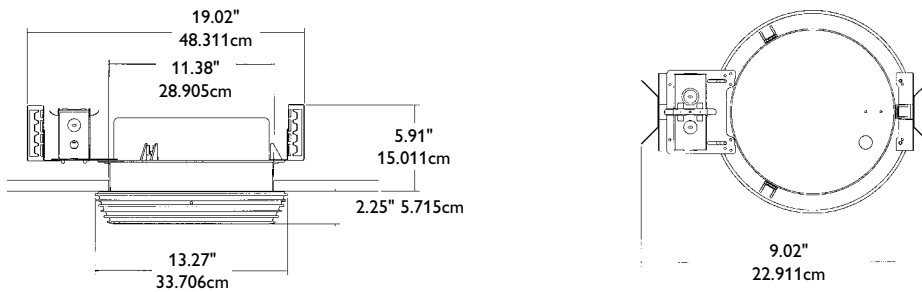
6. HID luminaires only. Limited to 100W maximum quartz lamp wattage. Not available in Ceramic Metal Halide with Electronic Ballast (CMHE) types. Available with 150 watt HID and lower only.

### DIMENSIONS

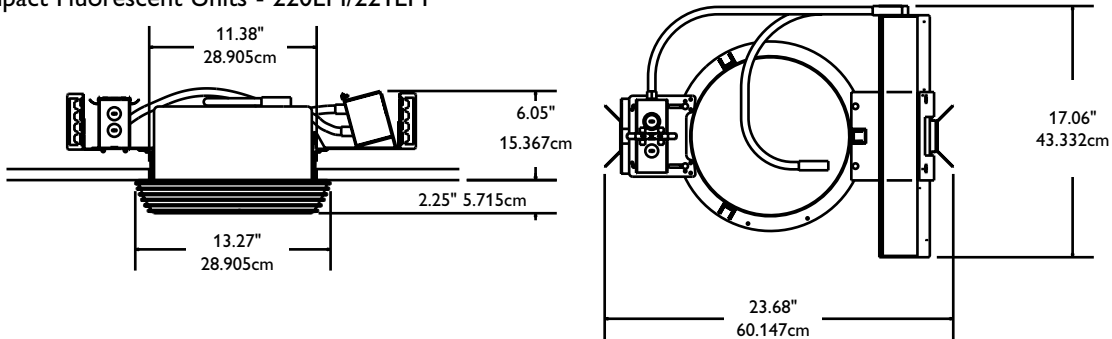
#### HID Units



#### Compact Fluorescent Units - 220/221



#### Compact Fluorescent Units - 220EM/221EM



### SPECIFICATIONS

**GENERAL:** The Philips Gardco Designer Canopy luminaire utilizes compact fluorescent and high intensity discharge lamps. Housing is recessed in ceiling cavity and shallow trim assembly is surfaced mounted on canopy. Two downlight and one wall wash optical systems are available.

**HOUSINGS:** Housing assembly features diecast aluminum plaster flange, formed steel ballast tray, adjustable mounting brackets, and steel housing cover.

**TRIMS:** Diecast aluminum trim mechanically secures tempered glass lens. Hollow core, extruded silicone gaskets seal trim assembly to both housing and lens to permanently exclude insects, moisture, dust, and pollutants from luminaire.

**OPTICAL SYSTEMS:** Fresnel lens provides an even, symmetrical downlight distribution. Prismatic downlight lens creates an elongated lighting pattern. Prismatic wall wash distribution provides uniform illumination on adjacent vertical surfaces. Cutout side trim on the Designer Canopy Luminaire allows light pattern on the wall to reach the ceiling line.

**ELECTRICAL:** HID luminaires that utilize magnetic ballasts are high power factor and designed for reliable lamp starting to -20° F. HID luminaires that utilize electronic metal halide ballasts will operate ceramic metal halide lamps only. Medium base pulse rated sockets are glazed porcelain with nickel plated screw shells. All fluorescent luminaires utilize electronic ballasts that are high power factor and designed for reliable lamp starting to 0°F. Sockets are high temperature PBT with brass contacts.

**EMERGENCY LUMINAIRES:** In the event of power interruption, integral battery pack will power (1) 42W compact fluorescent lamp at reduced light levels. Maintenance free battery is rated for ambient temperatures down to 0°C. Indicator light is visible through the lens. A test switch is accessible through the door assembly.

**FINISH:** Each luminaire receives a fade and abrasion resistant electrostatically applied, thermally cured, (TGIC) polyester powdercoat finish.

**LABELS:** All luminaires have UL or CUL (where applicable) Wet Location labels.

**WARRANTY:** 5 year limited warranty. See [philips.com/warranties](http://philips.com/warranties) for complete details and exclusions.

