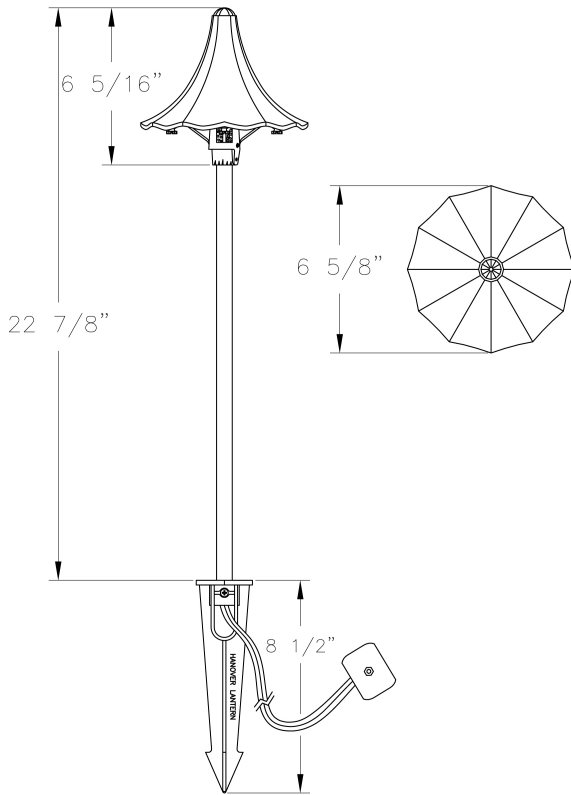


Pathlight (LVW134) Specification Sheet

Project Name:	Location:	MFG: Philips Lighting
Fixture Type:	Catalog No.:	Qty:



Ordering Guide

Example: LVW134 ABS

Product Code	LVW134	Pathlight
Finish	ABS	Antique Brass
	ACP	Antique Copper
	ARD	Antique Red
	ASI	Antique Silver
	BLK	Black
	BRN	Brown
	BRZ	Bronze
	FGN	Forest Green
	GRA	Granite
	IRN	Ironstone
	RBZ	Rustic Bronze
	SRT	Shadow Rust
	VBZ	Verde Bronze
	VCP	Verde Copper
	VGN	Verde
	VTC	Vintage Copper
	WBZ	Weathered Bronze
	WHT	White

Specifications

CONSTRUCTION:

All cast aluminum construction. 1/2" Schedule 40 Aluminum stem 18" long threads to screw on to accessory mounting stake (included) or junction box (sold separately).

FINISH:

Resilient TGIC thermoset polyester powdercoat paint is electrostatically applied to every fixture. Specially formulated for Philips Outdoor Lighting, it provides UV protection, and the highest temperature rating in the industry. In addition to the standard color choices shown, a spectrum of custom colors is available.

LAMPING:

18W maximum wedge base T-5 Xenon. Lamp is included with fixture. Xenon lamp life is approximately 10,000 hours. Higher wattages may be used only with glass panels installed.

ELECTRICAL ASSEMBLY:

Wedge base socket type (T3-1/4 or T5). 12 Volt fixture is pre-wired with 4-ft pigtail of 18-2 AWG. Low voltage quick connector, catalog #LV129 included for easy hook-up to the low voltage supply cable, not included. 12 Volt system requires remote transformer, not included.

WARRANTY:

Three-year limited warranty.

CERTIFICATIONS:

ETL Listed to U.S. safety standards for wet locations. cETL Listed to Canadian safety standards for wet locations.

Height:

22 7/8" (581mm)

Width:

6 5/8" (168mm)

Max. Weight:

3.75 lb.