

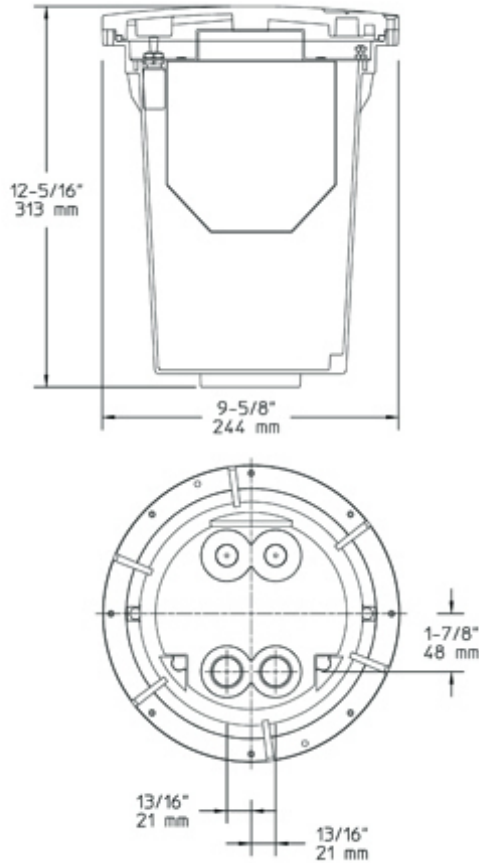
# Transformer (LV300DB) Specification Sheet

Project Name:	Location:	MFG: Philips Lighting
Fixture Type:	Catalog No.:	Qty:

## Ordering Guide

Example: LV300DB

Product Code	LV300DB	Transformer
--------------	---------	-------------



## Specifications

### CONSTRUCTION:

Housing and cover are compression molded fiberglass reinforced polyester composite material. Fasteners are 300 series stainless steel. Gasketing is silicone. Two (2) 3/4" NPS threaded conduit inlets on bottom. Two (2) additional inlets may be field drilled and tapped.

### ELECTRICAL ASSEMBLY:

Separate wiring compartment with two (2) 3/4" 120V inlets. The transformer is thermally protected and is shielded between the 120V input and the low voltage output, for safety. 12, 13, 14, and 15 volt output taps for design flexibility and longer cable run capability. Magnetic circuit breaker for each 300W secondary circuit. Waterproof connectors for low voltage cable outlets (one connector with LV300DB). Potting compound (3M #4443) for line voltage wiring compartment. Line voltage amperage draw: 300VA = 2.7 amps.

### WARRANTY:

Ten-year limited warranty.

### CERTIFICATIONS:

ETL Listed to U.S. safety standards for wet locations. cETL Listed to Canadian safety standards for wet locations. Manufactured to ISO 9001:2000 Standards.

### Height:

12 5/16" (313 mm)

### Width:

9 5/8" (244 mm)