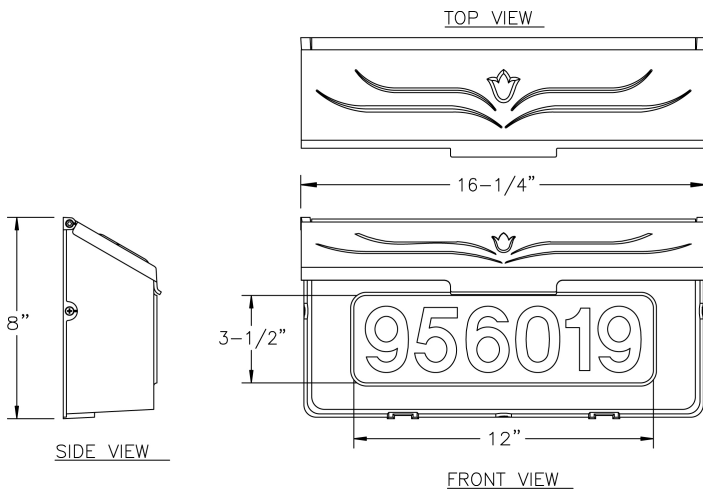


# Wall Mounted (185) Specification Sheet

Project Name:	Location:	MFG: Philips Lighting
Fixture Type:	Catalog No.:	Qty:



## Ordering Guide

Example: 185 ABS Content Vinyl G Clarendon

Product Code	185	Wall Mounted
<b>Finish</b>	ABS ACP ARD ASI BLK BRN BRZ FGN GRA IRN RBZ SRT VBZ VCP VGN VTC WBZ WHT	Antique Brass Antique Copper Antique Red Antique Silver Black Brown Bronze Forest Green Granite Ironstone Rustic Bronze Shadow Rust Verde Bronze Verde Copper Verde Vintage Copper Weathered Bronze White
<b>Content of Sign</b>	Content	(see Sign Options above)
<b>Lettering</b>	Vinyl	Cut Vinyl
<b>Finish for Lettering</b>	G H K	Gold White Black
<b>Lettering Style/Font</b>	Clarendon Helvetica Brush	Condensed Style Script

## Specifications

### CONSTRUCTION:

3 piece mailbox assembly with cast aluminum hinged door and main housing, mounting plate is galvanized sheet steel. Stainless steel screws with plastic lipped screw anchors supplied. Top lid hinged to allow access to mail inside.

### FINISH:

Resilient TGIC thermoset polyester powdercoat paint is electrostatically applied to every fixture. Specially formulated for Philips Outdoor Lighting, it provides UV protection, and the highest temperature rating in the industry. In addition to the standard color choices shown, a spectrum of custom colors is available.

### SIGN OPTIONS:

Six (6) Vinyl Characters max.

### MOUNTING:

3 key slots supplied in rear for mounting to wall. See template for dimensions & mounting instructions.

### WARRANTY:

Three-year limited warranty.

### Height:

8" (203mm)

### Width:

16 1/4" (413mm)

### Depth:

3 3/4" (95mm)

### Max. Weight:

7 lb.