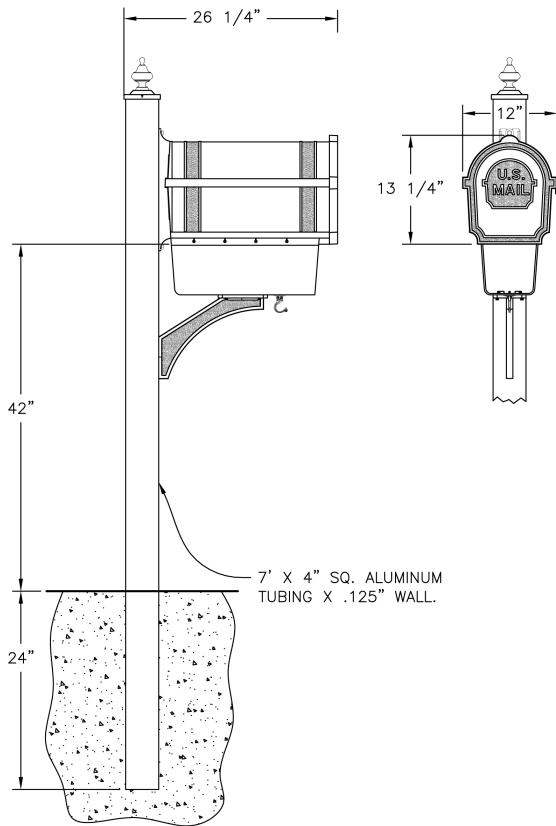


Pine Valley (M81) Specification Sheet

Project Name:	Location:	MFG: Philips Lighting
Fixture Type:	Catalog No.:	Qty:



Ordering Guide

Example: M81 ABS Std PC33

Product Code	M81	Pine Valley
Finish	ABS ACP ARD ASI BLK BRN BRZ FGN GRA IRN RBZ SRT VBZ VCP VGN VTC WBZ WHT	Antique Brass Antique Copper Antique Red Antique Silver Black Brown Bronze Forest Green Granite Ironstone Rustic Bronze Shadow Rust Verde Bronze Verde Copper Verde Vintage Copper Weathered Bronze White
Post Option	Std	Square (standard)
Finial Options	PC33 PC28 PC29	Finial (4" Square) (std) Finial (4" Square) Finial (4" Square)

Specifications

CONSTRUCTION:

Cast aluminum construction. Cast aluminum news holder secured to mailbox assembly. Cast aluminum decorative contemporary scroll supports mailbox assembly. Hook for hanging mailers. Door closes by a magnet siliconed on backside of door and a metal L bracket attached to mailbox assembly. Hinged by a spring loaded assembly. 4" sq. X 7' long Extruded Aluminum Post buried to comply with local Postal Service Mailbox mounting height.

FINISH:

Resilient TGIC thermoset polyester powdercoat paint is electrostatically applied to every fixture. Specially formulated for Philips Outdoor Lighting, it provides UV protection, and the highest temperature rating in the industry. In addition to the standard color choices shown, a spectrum of custom colors is available.

WARRANTY:

Three-year limited warranty.

Height:

64 5/8" (164cm)

Width:

12" (30cm)

Depth:

26 1/4" (67cm)

Overall Length:

88 5/8" (225cm)

Max. Weight:

48 lb. (whole kit)