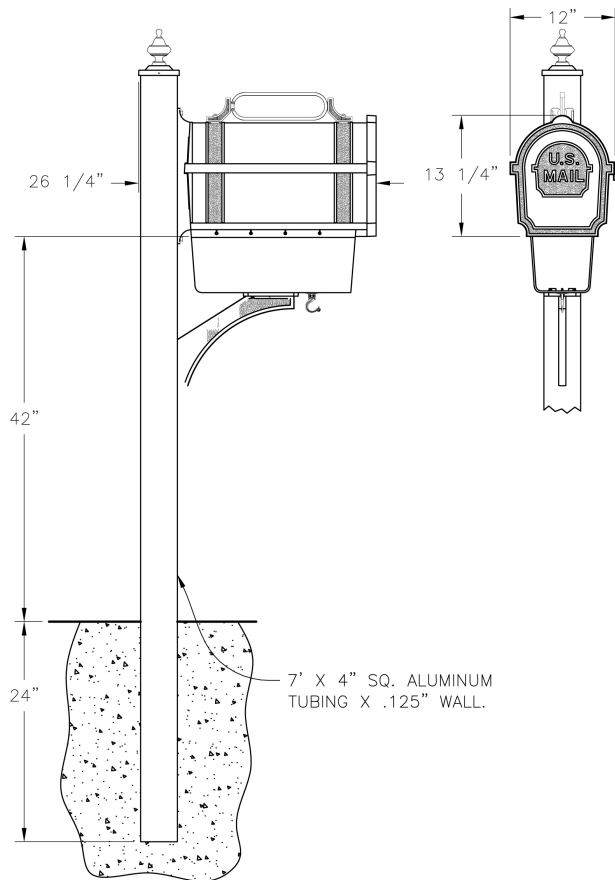


# Pine Valley (M81S) Specification Sheet

Project Name:	Location:	MFG: Philips Lighting
Fixture Type:	Catalog No.:	Qty:



## Ordering Guide

Example: M81S ABS Std PC33 Content Vinyl H Clarendon

Product Code	M81S	Pine Valley
<b>Finish</b>	ABS ACP ARD ASI BLK BRN BRZ FGN GRA IRN RBZ SRT VBZ VCP VGN VTC WBZ WHT	Antique Brass Antique Copper Antique Red Antique Silver Black Brown Bronze Forest Green Granite Ironstone Rustic Bronze Shadow Rust Verde Bronze Verde Copper Verde Vintage Copper Weathered Bronze White
<b>Post Option</b>	Std	Square (standard)
<b>Finial Options</b>	PC33 PC28 PC29	Finial (4" Square) (std) Finial (4" Square) Finial (4" Square)
<b>Content of Sign</b>	Content	(see Sign Options above)
<b>Lettering</b>	Vinyl	Cut Vinyl
<b>Finish for Lettering</b>	H K G	White Black Gold
<b>Lettering Style/Font</b>	Clarendon Helvetica Brush	Condensed Style Script

## Specifications

### CONSTRUCTION:

Cast aluminum construction. Cast aluminum news holder secured to mailbox assembly. Cast aluminum decorative contemporary scroll supports mailbox assembly. Cast aluminum sign with scrolls for vinyl lettering. Hook for hanging mailers. Door closes by a magnet siliconed on backside of door and a metal L bracket attached to mailbox assembly. Hinged by a spring loaded assembly. 4" sq. X 7' long Extruded Aluminum Post buried to comply with local Postal Service Mailbox mounting height.

### FINISH:

Resilient TGIC thermoset polyester powdercoat paint is electrostatically applied to every fixture. Specially formulated for Philips Outdoor Lighting, it provides UV protection, and the highest temperature rating in the industry. In addition to the standard color choices shown, a spectrum of custom colors is available.

### SIGN OPTIONS:

Five (5) Vinyl Characters max. Vinyl lettering included on both sides. Contact the factory to find out all available options for this sign.

### WARRANTY:

Three-year limited warranty.

### Height:

64 5/8" (164cm)

### Width:

# Pine Valley (M81S) Specification Sheet

Project Name:	Location:	MFG: Philips Lighting
Fixture Type:	Catalog No.:	Qty:

12" (30cm)

**Depth:**

26 1/4" (67cm)

**Overall Length:**

88 5/8" (225cm)

**Max. Weight:**

48 lb. (whole kit)