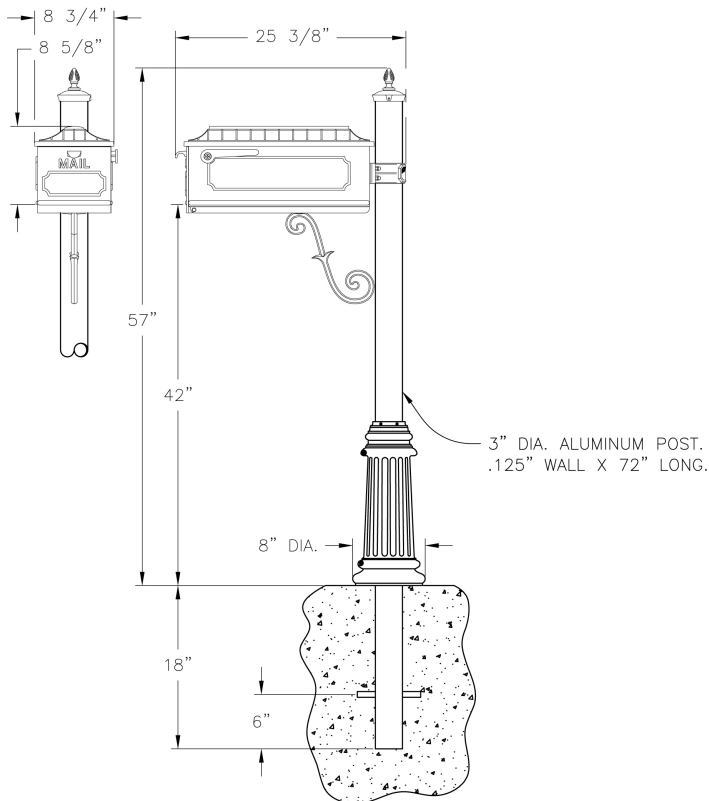


Muirfield Village (M97) Specification Sheet

Project Name:	Location:	MFG: Philips Lighting
Fixture Type:	Catalog No.:	Qty:



Ordering Guide

Example: M97 ABS Std 139-3 PC3 Content Vinyl H Clarendon

Product Code	M97	Muirfield Village
Finish	ABS ACP ARD ASI BLK BRN BRZ FGN GRA IRN RBZ SRT VBZ VCP VGN VTC WBZ WHT	Antique Brass Antique Copper Antique Red Antique Silver Black Brown Bronze Forest Green Granite Ironstone Rustic Bronze Shadow Rust Verde Bronze Verde Copper Verde Vintage Copper Weathered Bronze White
Post Option	Std 3" Flute	Smooth (Standard) 3" dia. Flat Fluted Post
Wrap Base Option	139-3 142-3 135-3	3" dia. Wrap (Standard) 3" dia. Wrap 3" dia. Wrap
Finial Options	PC3 PC13-3 PC14 PC16-3 PC17-3 PC20 PC24 PC26	Finial (3" Round) (std) Finial (3" Round) Finial (3" Round) Finial (3" Round) Finial (3" Round) Finial (3" Round) Finial (3" Round) Finial (3" Round)
Content of Sign	Content	(see Sign Options above)
Lettering	Vinyl	Cut Vinyl
Finish for Lettering	H K G	White Black Gold
Lettering Style/Font	Clarendon Helvetica Brush	Condensed Style Script

Specifications

CONSTRUCTION:

Cast aluminum construction. 2 piece die-cast aluminum wrap included. Cast aluminum scroll. Door closes by a roller catch bracket assembled to door & mailbox assembly. Hinged by a rod. 3" dia. X 6' long Extruded Aluminum Post buried to comply with local Postal Service Mailbox mounting height. 1/2" Schedule 40 Aluminum pipe 7" long stabilizer rod included.

FINISH:

Resilient TGIC thermoset polyester powdercoat paint is electrostatically applied to every fixture. Specially formulated for Philips Outdoor Lighting, it provides UV protection, and the highest temperature rating in the industry. In addition to the standard color choices shown, a spectrum of custom colors is available.

Muirfield Village (M97) Specification Sheet

Project Name:	Location:	MFG: Philips Lighting
Fixture Type:	Catalog No.:	Qty:

SIGN OPTIONS:

Vinyl characters available for mailbox door. Contact factory for other available options for vinyl lettering.

WARRANTY:

Three-year limited warranty.

Height:

57" (145cm)

Width:

8 3/4" (22cm)

Depth:

25 3/8" (64cm)

Overall Length:

75" (191cm)

Max. Weight:

35.75 lb. (whole kit)