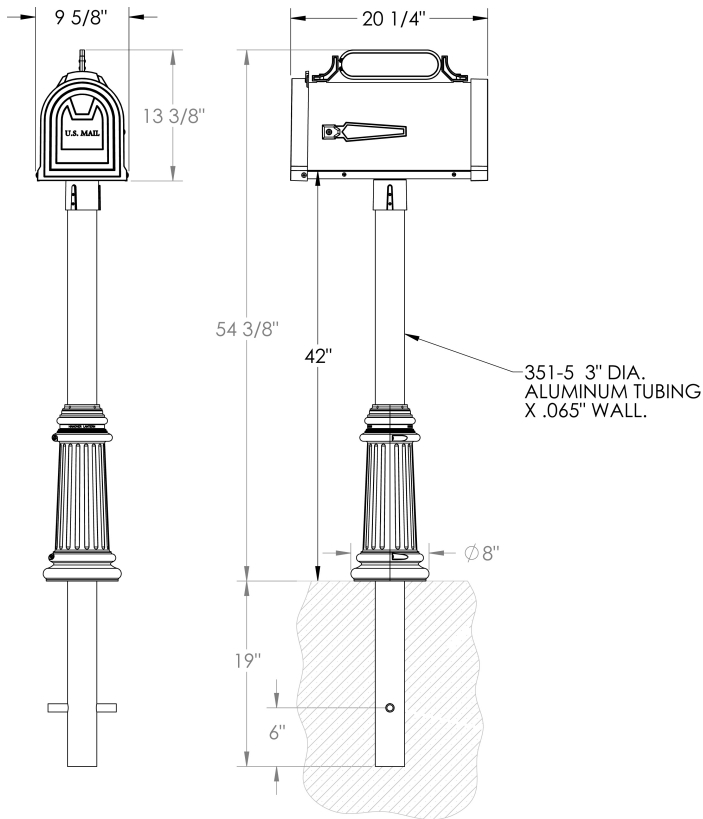


Oakmont (M200S) Specification Sheet

Project Name:	Location:	MFG: Philips Lighting
Fixture Type:	Catalog No.:	Qty:



Ordering Guide

Example: M200S ABS Content Vinyl H Clarendon

Product Code	M200S	Oakmont
Finish	ABS ACP ARD ASI BLK BRN BRZ FGN GRA IRN RBZ SRT VBZ VCP VGN VTC WBZ WHT	Antique Brass Antique Copper Antique Red Antique Silver Black Brown Bronze Forest Green Granite Ironstone Rustic Bronze Shadow Rust Verde Bronze Verde Copper Verde Vintage Copper Weathered Bronze White
Content of Sign	Content	(see Sign Options above)
Lettering	Vinyl	Cut Vinyl
Finish for Lettering	H K G	White Black Gold
Lettering Style/Font	Clarendon Helvetica Brush	Condensed Style Script

Specifications

CONSTRUCTION:

Cast aluminum construction. 2 piece die-cast aluminum wrap included. 3" dia. X 5' long Extruded Aluminum Post buried to comply with local Postal Service Mailbox mounting height. Cast aluminum sign with scrolls for vinyl lettering. Door closes by a magnet siliconed on backside of door and a metal L bracket attached to mailbox assembly. Two (2) screws use to hinge mailbox door. Cast aluminum post fitter secured to mailbox with stainless steel screws. 1/2" Schedule 40 Aluminum pipe 7" long stabilizer rod included.

FINISH:

Resilient TGIC thermoset polyester powdercoat paint is electrostatically applied to every fixture. Specially formulated for Philips Outdoor Lighting, it provides UV protection, and the highest temperature rating in the industry. In addition to the standard color choices shown, a spectrum of custom colors is available.

SIGN OPTIONS:

Five (5) Vinyl Characters max. Vinyl lettering included on both sides. Contact the factory to find out all available options for this sign.

WARRANTY:

Three-year limited warranty.

Height:

54 3/8" (138cm)

Width:

9 1/2" (24cm)

Depth:

20 1/4" (51cm)

Overall Length:

72 3/8" (184cm)

Max. Weight:

Oakmont (M200S) Specification Sheet

Project Name:	Location:	MFG: Philips Lighting
Fixture Type:	Catalog No.:	Qty:

lb. (whole kit)