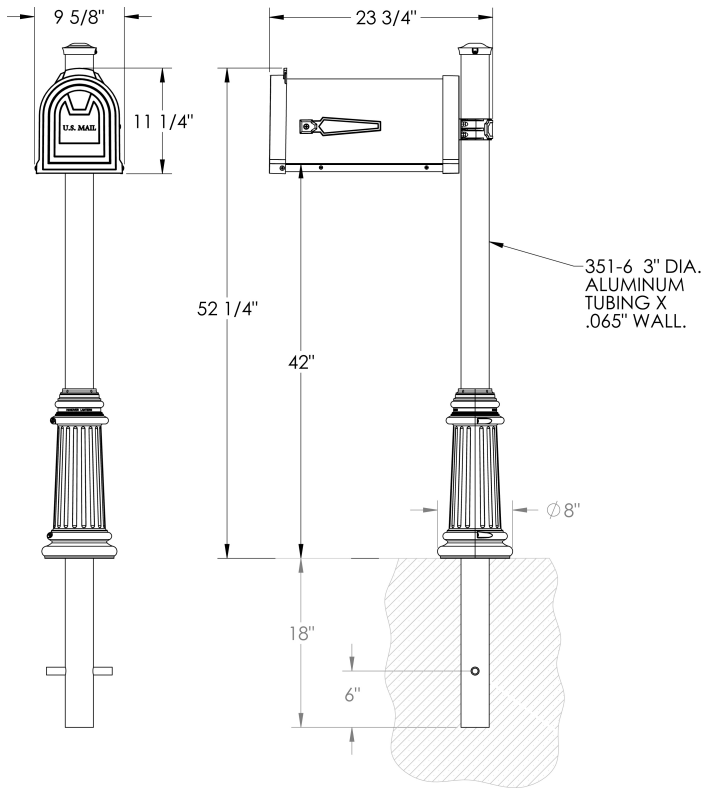


Oakmont (M201) Specification Sheet

Project Name:	Location:	MFG: Philips Lighting
Fixture Type:	Catalog No.:	Qty:



Ordering Guide

Example: M201 ABS

Product Code	M201	Oakmont
Finish	ABS	Antique Brass
	ACP	Antique Copper
	ARD	Antique Red
	ASI	Antique Silver
	BLK	Black
	BRN	Brown
	BRZ	Bronze
	FGN	Forest Green
	GRA	Granite
	IRN	Ironstone
	RBZ	Rustic Bronze
	SRT	Shadow Rust
	VBZ	Verde Bronze
	VCP	Verde Copper
	VGN	Verde
	VTC	Vintage Copper
	WBZ	Weathered Bronze
	WHT	White

Specifications

CONSTRUCTION:

Cast aluminum construction. 2 piece die-cast aluminum wrap included. Extruded Aluminum mounting plate welded to cast aluminum arm with scroll. Door closes by a magnet siliconed on backside of door and a metal L bracket attached to mailbox assembly. Two (2) screws use to hinge mailbox door. 3" dia. X 6' long Extruded Aluminum Post buried to comply with local Postal Service Mailbox mounting height. 1/2" Schedule 40 Aluminum pipe 7" long stabilizer rod included.

FINISH:

Resilient TGIC thermoset polyester powdercoat paint is electrostatically applied to every fixture. Specially formulated for Philips Outdoor Lighting, it provides UV protection, and the highest temperature rating in the industry. In addition to the standard color choices shown, a spectrum of custom colors is available.

WARRANTY:

Three-year limited warranty.

Height:

54 7/8" (139cm)

Width:

9 1/2" (24cm)

Depth:

23 3/4" (60cm)

Overall Length:

72 7/8" (185cm)

Max. Weight:

lb. (whole kit)