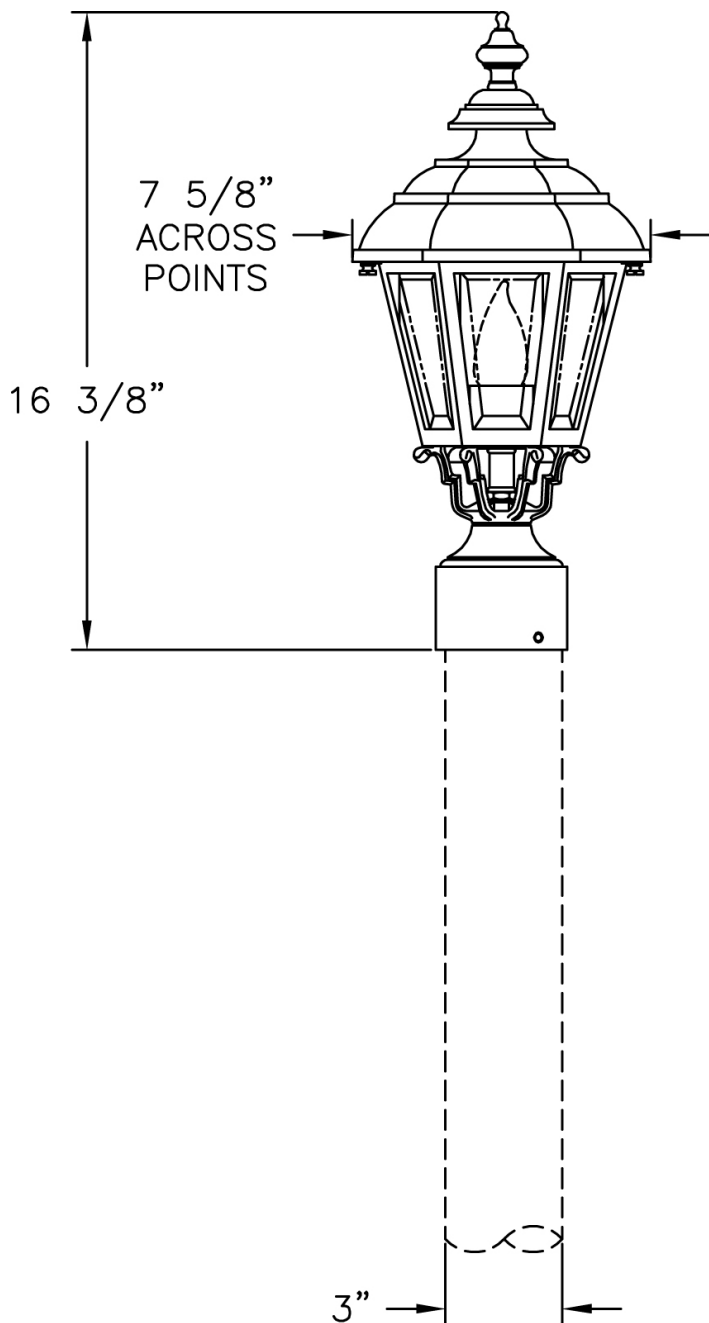


Small Jamestown Post Mount (B2330) Specification Sheet

| | | |
|---------------|--------------|-----------------------|
| Project Name: | Location: | MFG: Philips Lighting |
| Fixture Type: | Catalog No.: | Qty: |



Ordering Guide

Example: B2330 ABS J D

| Product Code | B2330 | Small Jamestown Post Mount |
|--------------------|--|---|
| Finish | ABS ACP ARD ASI BLK BRN BRZ FGN GRA IRN RBZ SRT VBZ VCP VGN VTC WBZ WHT | Antique Brass Antique Copper Antique Red Antique Silver Black Brown Bronze Forest Green Granite Ironstone Rustic Bronze Shadow Rust Verde Bronze Verde Copper Verde Vintage Copper Weathered Bronze White |
| Panel/Globe | J G F K H L A B E D C P M Q | Clear Beveled Glass Clear Glass Frosted Glass Clear Seeded Glass Opalescent Honey Glass White Iridescent Clear Acrylic Opal Acrylic Clear Textured Acrylic Bronze Tone Acrylic Clear Seeded Acrylic Clear Polycarbonate Opal Polycarbonate Prismatic Polycarbonate |
| Lamping | D | Medium Base |

Specifications

CONSTRUCTION:

Cast aluminum construction. Cast aluminum post fitter slips over 3" dia. post (order separately) or tenon. Cast aluminum finial attached to roof.

Small Jamestown Post Mount (B2330) Specification Sheet

| | | |
|---------------|--------------|-----------------------|
| Project Name: | Location: | MFG: Philips Lighting |
| Fixture Type: | Catalog No.: | Qty: |

FINISH:

Resilient TGIC thermoset polyester powdercoat paint is electrostatically applied to every fixture. Specially formulated for Philips Outdoor Lighting, it provides UV protection, and the highest temperature rating in the industry. In addition to the standard color choices shown, a spectrum of custom colors is available.

PANELS/LENS/GLOBE:

Set of 6 Clear Beveled Glass (CBG) panels (standard).

LAMPING:

60W maximum A19 lamp per medium base socket. Lamp is not included. Higher wattages may be used only with glass panels installed.

ELECTRICAL ASSEMBLY:

Porcelain medium base socket with painted aluminum cover. Fixture is pre-wired with 18 AWG black, white, and ground wires. Lantern will be prewired and tested. All electrical components are ETL listed.

MOUNTING:

Fixture mounts to 3" dia. post or tenon.

WARRANTY:

Lifetime limited warranty.

CERTIFICATIONS:

ETL Listed to U.S. safety standards for wet locations. cETL Listed to Canadian safety standards for wet locations.

Height:

16 3/8"

Width:

7 5/8"

Max. Weight:

5.75 lbs.