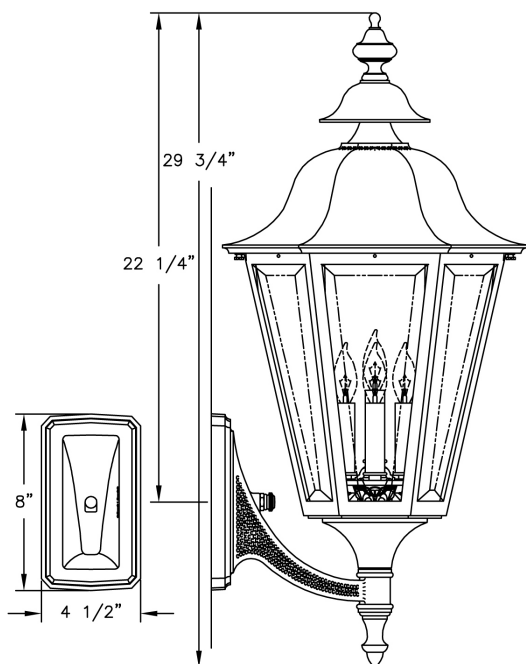
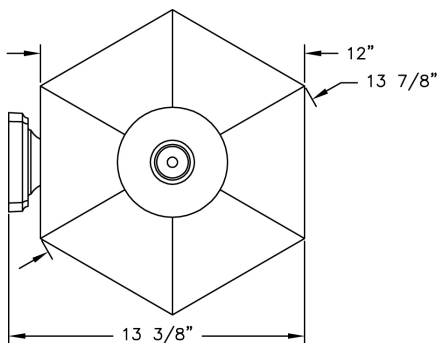


# Large Manor Wall Mount (B5513) Specification Sheet

Project Name:	Location:	MFG: Philips Lighting
Fixture Type:	Catalog No.:	Qty:



## Ordering Guide

Example: B5513 ABS J C4

Product Code	B5513	Large Manor Wall Mount
<b>Finish</b>	ABS ACP ARD ASI BLK BRN BRZ FGN GRA IRN RBZ SRT VBZ VCP VGN VTC WBZ WHT	Antique Brass Antique Copper Antique Red Antique Silver Black Brown Bronze Forest Green Granite Ironstone Rustic Bronze Shadow Rust Verde Bronze Verde Copper Verde Vintage Copper Weathered Bronze White
<b>Panel/Globe</b>	J C E B M Q D P A G K F H L	Clear Beveled Glass Clear Seeded Acrylic Clear Textured Acrylic Opal Acrylic Opal Polycarbonate Prismatic Polycarbonate Bronze Tone Acrylic Clear Polycarbonate Clear Acrylic Clear Glass Clear Seeded Glass Frosted Glass Opalescent Honey Glass White Iridescent
<b>Lamping</b>	C4	B1-4 light cluster

## Specifications

### CONSTRUCTION:

Cast aluminum finial & cap. Cast aluminum hex cage with cone bottom. Cast aluminum bracket arm. Cast aluminum hex roof secured with thumbscrews.

### FINISH:

Resilient TGIC thermoset polyester powdercoat paint is electrostatically applied to every fixture. Specially formulated for Philips Outdoor Lighting, it provides UV protection, and the highest temperature rating in the industry. In addition to the standard color choices shown, a spectrum of custom colors is available.

### PANELS/LENS/GLOBE:

Set of 6 Clear Beveled Glass (CBG) panels (standard). Higher wattages may be used only with glass panels installed.

### LAMPING:

25W maximum B10 lamp per candelabra base. Lamp is not included. Higher wattages may be used only with glass panels installed.

### ELECTRICAL ASSEMBLY:

# Large Manor Wall Mount (B5513) Specification Sheet

Project Name:	Location:	MFG: Philips Lighting
Fixture Type:	Catalog No.:	Qty:

4-light Candelabra cluster with painted aluminum sleeves. Fixture is pre-wired with 18 AWG black, white, and ground wires. Lantern will be prewired and tested. All electrical components are ETL listed.

**MOUNTING:**

See template for dimensions & mounting instructions.

**WARRANTY:**

Lifetime limited warranty.

**CERTIFICATIONS:**

ETL Listed to U.S. safety standards for wet locations. cETL Listed to Canadian safety standards for wet locations.

**Height:**

29 5/8"

**Width:**

13 7/8"

**Projection:**

13 3/8"

**Top to Outlet:**

22 1/4"

**Max. Weight:**

18.5 lb.