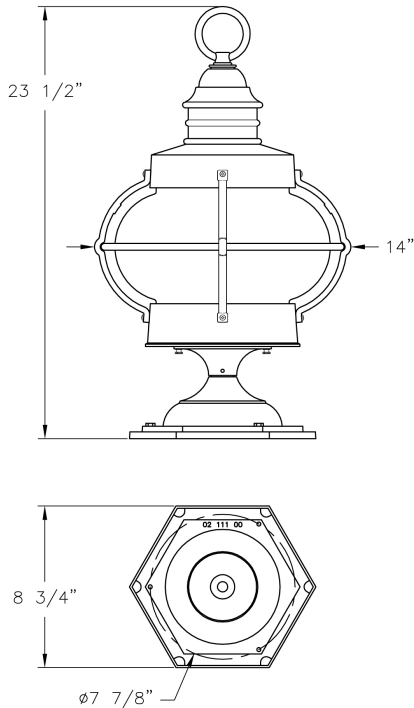


# Large Bridgewater Pier Mount (B9059) Specification Sheet

Project Name:	Location:	MFG: Philips Lighting
Fixture Type:	Catalog No.:	Qty:



## Ordering Guide

Example: B9059 ABS K D

Product Code	B9059	Large Bridgewater Pier Mount
<b>Finish</b>	ABS ACP ARD ASI BLK BRN BRZ FGN GRA IRN RBZ SRT VBZ VGN VTC WBZ WHT	Antique Brass Antique Copper Antique Red Antique Silver Black Brown Bronze Forest Green Granite Ironstone Rustic Bronze Shadow Rust Verde Bronze Verde Copper Verde Vintage Copper Weathered Bronze White
<b>Panel/Globe</b>	K	Clear Seeded Glass Globe
<b>Lamping</b>	D	Medium Base

## Specifications

### CONSTRUCTION:

Aluminum scroll. Cast aluminum loop and aluminum ring. Spun aluminum cap and neck assembly. Four (4) cast aluminum legs secure to roof & bottom. Cast aluminum roof & bottom. Cast aluminum hex pier base. Cast aluminum cone bottom secures to lantern with 2 thumbscrews.

### FINISH:

Resilient TGIC thermoset polyester powdercoat paint is electrostatically applied to every fixture. Specially formulated for Philips Outdoor Lighting, it provides UV protection, and the highest temperature rating in the industry. In addition to the standard color choices shown, a spectrum of custom colors is available.

### PANELS/LENS/GLOBE:

Clear Seeded Glass Globe available only.

### LAMPING:

100W maximum A19 lamp per medium base socket. Lamp is not included. Higher wattages may be used only with glass panels installed.

### ELECTRICAL ASSEMBLY:

Porcelain medium base socket with painted aluminum cover. Fixture is pre-wired with 18 AWG black, white, and ground wires. Lantern will be prewired and tested. All electrical components are ETL listed.

### MOUNTING:

See template for dimensions & mounting instructions.

### WARRANTY:

Lifetime limited warranty.

### CERTIFICATIONS:

ETL Listed to U.S. safety standards for wet locations. cETL Listed to Canadian safety standards for wet locations.

### Height:

23 1/2"

### Width:

14"

# Large Bridgewater Pier Mount (B9059) Specification Sheet

Project Name:	Location:	MFG: Philips Lighting
Fixture Type:	Catalog No.:	Qty:

**Max. Weight:**  
15 lb.