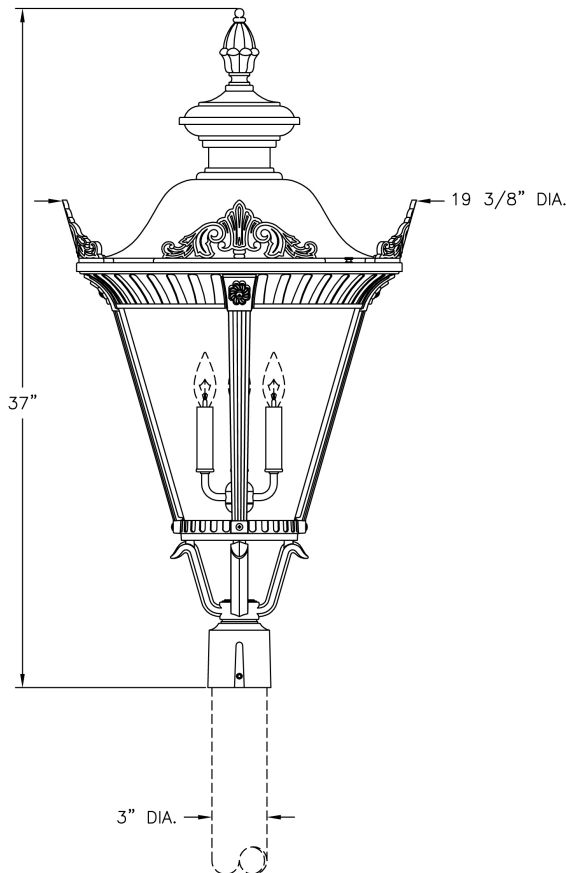


# Large Stockholm Post Mount (B53730) Specification Sheet

Project Name:	Location:	MFG: Philips Lighting
Fixture Type:	Catalog No.:	Qty:



## Ordering Guide

Example: B53730 ABS A C4

Product Code	B53730	Large Stockholm Post Mount
<b>Finish</b>	ABS ACP ARD ASI BLK BRN BRZ FGN GRA IRN RBZ SRT VBZ VCP VGN VTC WBZ WHT	Antique Brass Antique Copper Antique Red Antique Silver Black Brown Bronze Forest Green Granite Ironstone Rustic Bronze Shadow Rust Verde Bronze Verde Copper Verde Vintage Copper Weathered Bronze White
<b>Panel/Globe</b>	A	Clear Acrylic Body
<b>Lamping</b>	C4	B1-4 light cluster

## Specifications

### CONSTRUCTION:

Fluted cast aluminum top & bottom ring. Four (4) cast aluminum legs secure top and bottom rings. Spun aluminum roof cap. Spun aluminum roof secures to top ring with thumbscrews. Cast aluminum frog bottom secured. Cast aluminum finial attached to roof. Cast aluminum post fitter slips over 3" dia. post (order separately) or tenon. Four (4) cast aluminum crowns secure to roof.

### FINISH:

Resilient TGIC thermoset polyester powdercoat paint is electrostatically applied to every fixture. Specially formulated for Philips Outdoor Lighting, it provides UV protection, and the highest temperature rating in the industry. In addition to the standard color choices shown, a spectrum of custom colors is available.

### PANELS/LENS/GLOBE:

Clear Acrylic (CA) Body available only.

### LAMPING:

60W maximum B10 lamp per candelabra base socket. Lamp is not included. Higher wattages may be used only with glass panels installed.

### ELECTRICAL ASSEMBLY:

4-light Candelabra cluster with painted aluminum sleeves. Fixture is pre-wired with 18 AWG black, white, and ground wires. Lantern will be prewired and tested. All electrical components are ETL listed.

### MOUNTING:

Fixture mounts to 3" dia. post or tenon.

### WARRANTY:

Lifetime limited warranty.

# Large Stockholm Post Mount (B53730) Specification Sheet

Project Name:	Location:	MFG: Philips Lighting
Fixture Type:	Catalog No.:	Qty:

**CERTIFICATIONS:**

ETL Listed to U.S. safety standards for wet locations. cETL Listed to Canadian safety standards for wet locations.

**Height:**

37"

**Width:**

19 3/8"

**Max. Weight:**

27.5 lbs.