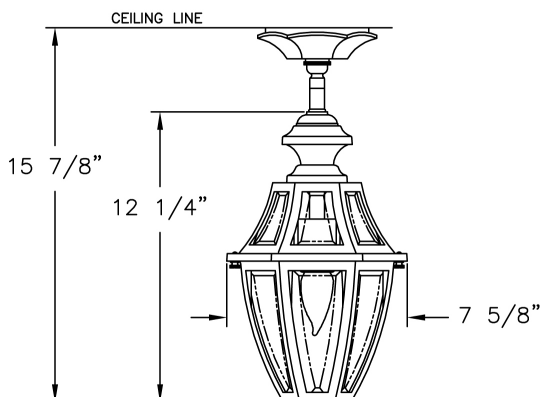
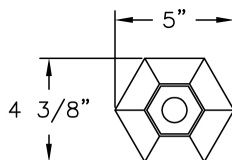


# Small Augusta Ceiling Lantern (B13221) Specification Sheet

Project Name:	Location:	MFG: Philips Lighting
Fixture Type:	Catalog No.:	Qty:



## Ordering Guide

Example: B13221 ABS J D

Product Code	B13221	Small Augusta Ceiling Lantern
<b>Finish</b>	ABS ACP ARD ASI BLK BRN BRZ FGN GRA IRN RBZ SRT VBZ VCP VGN VTC WBZ WHT	Antique Brass Antique Copper Antique Red Antique Silver Black Brown Bronze Forest Green Granite Ironstone Rustic Bronze Shadow Rust Verde Bronze Verde Copper Verde Vintage Copper Weathered Bronze White
<b>Panel/Globe</b>	J C B	Clear Beveled Glass Clear Seeded Acrylic Opal Acrylic
<b>Lamping</b>	D	Medium Base

## Specifications

### CONSTRUCTION:

Cast aluminum hex roof secured with thumbscrews. Cast aluminum neck & cap. Cast aluminum hex cage with open bottom. Cast aluminum ceiling canopy. Painted aluminum sleeve covers brass hang-straight.

### FINISH:

Resilient TGIC thermoset polyester powdercoat paint is electrostatically applied to every fixture. Specially formulated for Philips Outdoor Lighting, it provides UV protection, and the highest temperature rating in the industry. In addition to the standard color choices shown, a spectrum of custom colors is available.

### PANELS/LENS/GLOBE:

Set of 6 Clear bent beveled glass (CBG) panels (standard). Higher wattages may be used only with glass panels installed.

### LAMPING:

60W maximum A19 lamp per medium base socket. Lamp is not included. Higher wattages may be used only with glass panels installed.

### ELECTRICAL ASSEMBLY:

Inverted porcelain medium base socket with painted aluminum cover. Fixture is pre-wired with 18 AWG black, white, and ground wires. Lantern will be prewired and tested. All electrical components are ETL listed.

### MOUNTING:

See template for dimensions & mounting instructions.

### WARRANTY:

Lifetime limited warranty.

### CERTIFICATIONS:

ETL Listed to U.S. safety standards for damp locations. cETL Listed to Canadian safety standards for damp locations.

### Height:

15 7/8"

### Width:

7 5/8"

# Small Augusta Ceiling Lantern (B13221) Specification Sheet

Project Name:	Location:	MFG: Philips Lighting
Fixture Type:	Catalog No.:	Qty:

**Max. Weight:**  
8.25 lb.