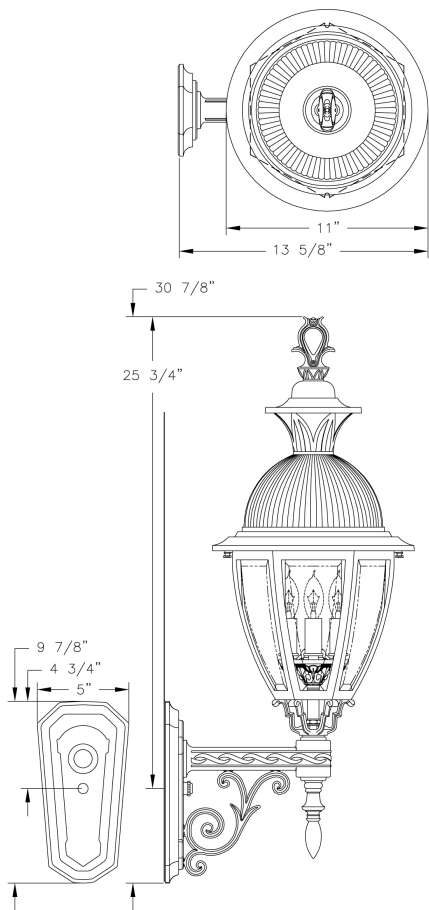


Medium Merion Wall Mount (B15410) Specification Sheet

| | | |
|---------------|--------------|-----------------------|
| Project Name: | Location: | MFG: Philips Lighting |
| Fixture Type: | Catalog No.: | Qty: |



Ordering Guide

Example: B15410 ABS J C3 P

| Product Code | B15410 | Medium Merion Wall Mount |
|--------------------|--|---|
| Finish | ABS ACP ARD ASI BLK BRN BRZ FGN GRA IRN RBZ SRT VBZ VCP VGN VTC WBZ WHT | Antique Brass Antique Copper Antique Red Antique Silver Black Brown Bronze Forest Green Granite Ironstone Rustic Bronze Shadow Rust Verde Bronze Verde Copper Verde Vintage Copper Weathered Bronze White |
| Panel/Globe | J C B | Clear Beveled Glass Clear Seeded Acrylic Opal Acrylic |
| Lamping | C3 | B1-3 light cluster |
| Dome/Roof | P W | Clear Polycarbonate White Acrylic |

Specifications

CONSTRUCTION:

Cast aluminum 2 piece scroll bracket arm and wall plate. Cast aluminum hex cage with frog bottom. Clear polycarbonate (CP) or opal acrylic (OA) fluted dome (Specify when ordering). Cast aluminum neck & cap. Cast aluminum decorative finial.

FINISH:

Resilient TGIC thermoset polyester powdercoat paint is electrostatically applied to every fixture. Specially formulated for Philips Outdoor Lighting, it provides UV protection, and the highest temperature rating in the industry. In addition to the standard color choices shown, a spectrum of custom colors is available.

PANELS/LENS/GLOBE:

Set of 6 Clear bent beveled glass (CBG) panels (standard). Higher wattages may be used only with glass panels installed.

LAMPING:

25W maximum B10 lamp per candelabra base. Lamp is not included. Higher wattages may be used only with glass panels installed.

ELECTRICAL ASSEMBLY:

Fixture is pre-wired with 18 AWG black, white, and ground wires. Lantern will be prewired and tested. All electrical components are ETL listed. 3-light Candelabra cluster with painted aluminum sleeves.

MOUNTING:

See template for dimensions & mounting instructions.

WARRANTY:

Lifetime limited warranty.

Medium Merion Wall Mount (B15410) Specification Sheet

| | | |
|---------------|--------------|-----------------------|
| Project Name: | Location: | MFG: Philips Lighting |
| Fixture Type: | Catalog No.: | Qty: |

CERTIFICATIONS:

ETL Listed to U.S. safety standards for wet locations. cETL Listed to Canadian safety standards for wet locations.

Height:

30 7/8"

Width:

11"

Projection:

13 5/8"

Top to Outlet:

25 3/4"

Max. Weight:

16.25 lb.