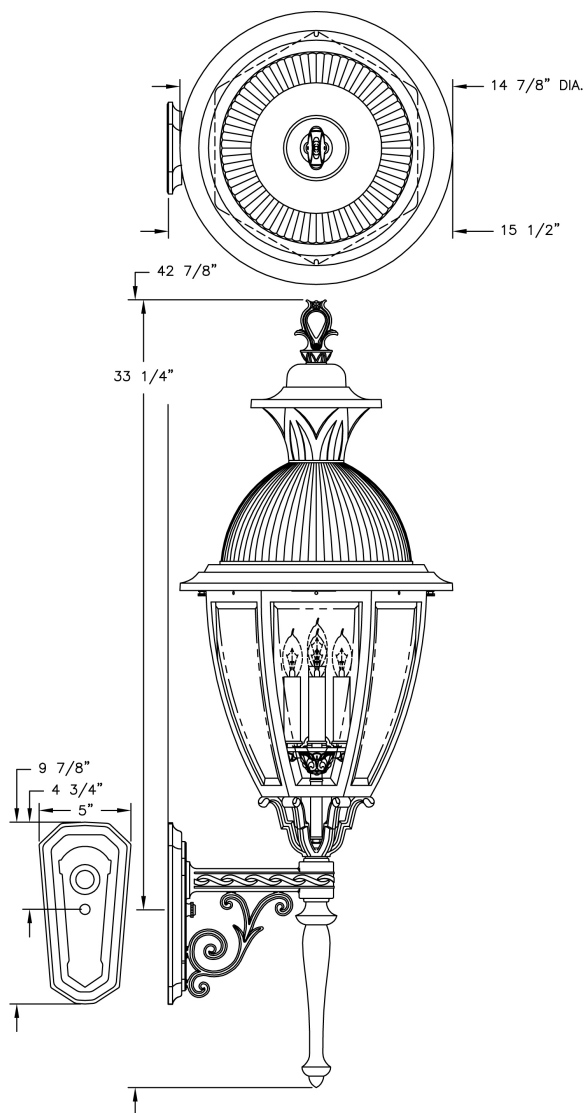


Large Merion Wall Mount (B15615) Specification Sheet

Project Name:	Location:	MFG: Philips Lighting
Fixture Type:	Catalog No.:	Qty:



Ordering Guide

Example: B15615 ABS J C4 P

Product Code	B15615	Large Merion Wall Mount
Finish	ABS ACP ARD ASI BLK BRN BRZ FGN GRA IRN RBZ SRT VBZ VCP VGN VTC WBZ WHT	Antique Brass Antique Copper Antique Red Antique Silver Black Brown Bronze Forest Green Granite Ironstone Rustic Bronze Shadow Rust Verde Bronze Verde Copper Verde Vintage Copper Weathered Bronze White
Panel/Globe	J C B	Clear Beveled Glass Clear Seeded Acrylic Opal Acrylic
Lamping	C4	B1-4 light cluster
Dome/Roof	P W	Clear Polycarbonate White Acrylic

Specifications

CONSTRUCTION:

Cast aluminum hex cage with frog bottom. Painted finials and spindles. Clear polycarbonate (CP) or opal acrylic (OA) fluted dome (Specify when ordering). Cast aluminum decorative scroll bracket arm and wallplate. Spindle made of cast aluminum. Cast aluminum neck & cap. Cast aluminum decorative finial.

FINISH:

Resilient TGIC thermoset polyester powdercoat paint is electrostatically applied to every fixture. Specially formulated for Philips Outdoor Lighting, it provides UV protection, and the highest temperature rating in the industry. In addition to the standard color choices shown, a spectrum of custom colors is available.

PANELS/LENS/GLOBE:

Set of 6 Clear bent beveled glass (CBG) panels (standard). Higher wattages may be used only with glass panels installed.

LAMPING:

25W maximum B10 lamp per candelabra base. Lamp is not included. Higher wattages may be used only with glass panels installed.

Large Merion Wall Mount (B15615) Specification Sheet

Project Name:	Location:	MFG: Philips Lighting
Fixture Type:	Catalog No.:	Qty:

ELECTRICAL ASSEMBLY:

4-light Candelabra cluster with painted aluminum sleeves. Fixture is pre-wired with 18 AWG black, white, and ground wires. Lantern will be prewired and tested. All electrical components are ETL listed.

MOUNTING:

See template for dimensions & mounting instructions.

WARRANTY:

Lifetime limited warranty.

CERTIFICATIONS:

ETL Listed to U.S. safety standards for wet locations. cETL Listed to Canadian safety standards for wet locations.

Height:

42 7/8"

Width:

14 7/8"

Projection:

15 1/2"

Top to Outlet:

33 1/4"

Max. Weight:

28 lbs.