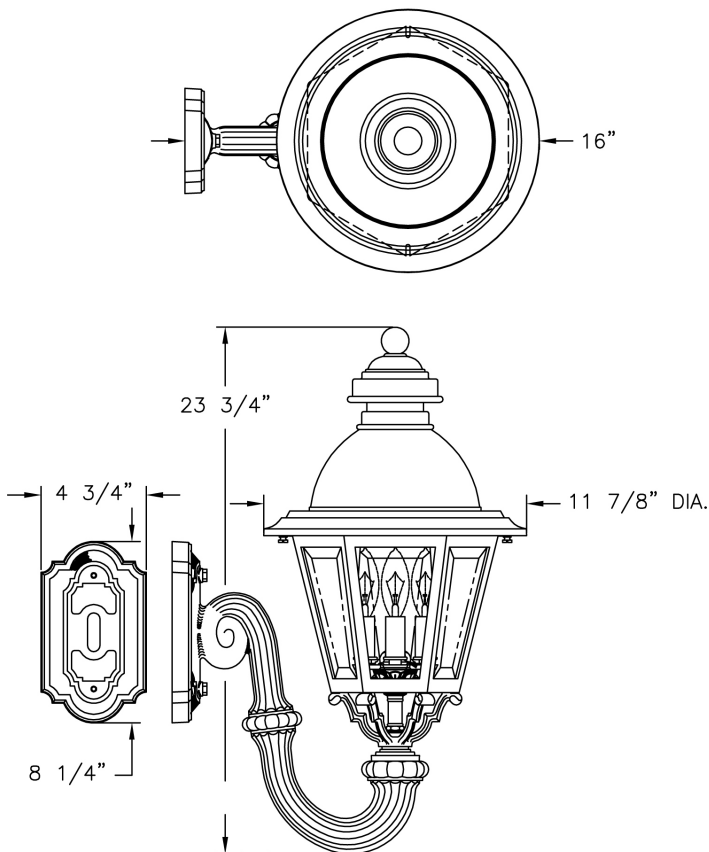


Medium South Bend Wall Mount (B514FSMA) Specification Sheet

Project Name:	Location:	MFG: Philips Lighting
Fixture Type:	Catalog No.:	Qty:



Ordering Guide

Example: B514FSMA ABS J C3

Product Code	B514FSMA	Medium South Bend Wall Mount
Finish	ABS ACP ARD ASI BLK BRN BRZ FGN GRA IRN RBZ SRT VBZ VCP VGN VTC WBZ WHT	Antique Brass Antique Copper Antique Red Antique Silver Black Brown Bronze Forest Green Granite Ironstone Rustic Bronze Shadow Rust Verde Bronze Verde Copper Verde Vintage Copper Weathered Bronze White
Panel/Globe	J G K F H L C B A D E P M Q	Clear Beveled Glass Clear Glass Clear Seeded Glass Frosted Glass Opalescent Honey Glass White Iridescent Clear Seeded Acrylic Opal Acrylic Clear Acrylic Bronze Tone Acrylic Clear Textured Acrylic Clear Polycarbonate Opal Polycarbonate Prismatic Polycarbonate
Lamping	C3	B1-3 light cluster

Specifications

CONSTRUCTION:

Cast aluminum hex cage with frog bottom. Cast Aluminum "S" fluted bracket arm. Painted spun aluminum dome. Cast aluminum wallplate. Spun aluminum top cap and neck. Turned aluminum ball finial. Cast aluminum roof ring secures to cage.

FINISH:

Resilient TGIC thermoset polyester powdercoat paint is electrostatically applied to every fixture. Specially formulated for Philips Outdoor Lighting, it provides UV protection, and the highest temperature rating in the industry. In addition to the standard color choices shown, a spectrum of custom colors is available.

PANELS/LENS/GLOBE:

Set of 6 Clear Beveled Glass (CBG) panels (standard). Higher wattages may be used only with glass panels installed.

LAMPING:

25W maximum B10 lamp per candelabra base. Lamp is not included. Higher wattages may be used only with glass panels installed.

Medium South Bend Wall Mount (B514FSMA) Specification Sheet

Project Name:	Location:	MFG: Philips Lighting
Fixture Type:	Catalog No.:	Qty:

ELECTRICAL ASSEMBLY:

3-light Candelabra cluster with painted aluminum sleeves. Fixture is pre-wired with 18 AWG black, white, and ground wires. Lantern will be prewired and tested. All electrical components are ETL listed.

MOUNTING:

See template for dimensions & mounting instructions.

WARRANTY:

Lifetime limited warranty.

CERTIFICATIONS:

ETL Listed to U.S. safety standards for wet locations. cETL Listed to Canadian safety standards for wet locations.

Height:

23 3/4"

Width:

11 7/8"

Projection:

16"

Top to Outlet:

13 3/4"

Max. Weight:

18.75 lb.