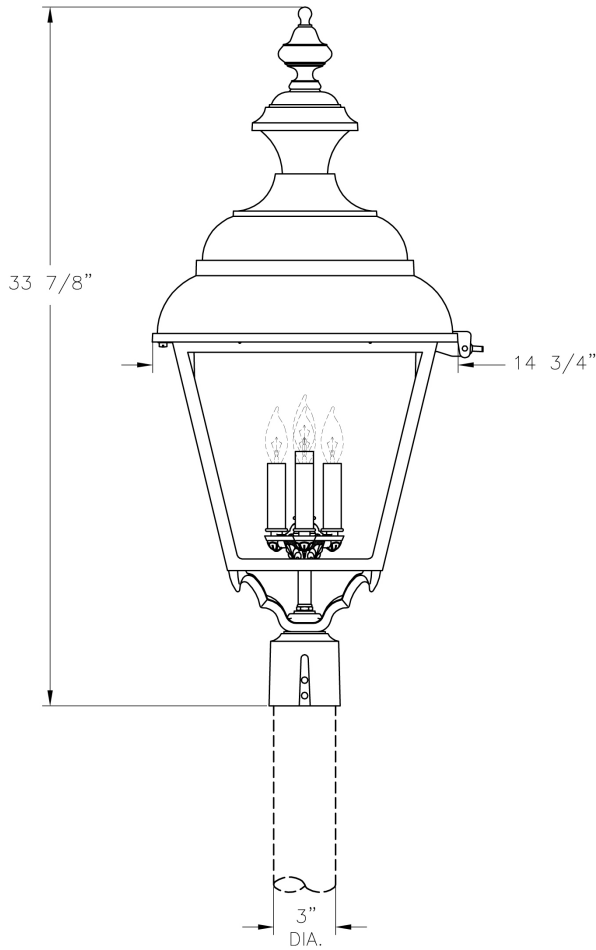


Grande Plymouth Post Mount (B31830) Specification Sheet

Project Name:	Location:	MFG: Philips Lighting
Fixture Type:	Catalog No.:	Qty:



Ordering Guide

Example: B31830 ABS A C4

Product Code	B31830	Grande Plymouth Post Mount
Finish	ABS ACP ARD ASI BLK BRN BRZ FGN GRA IRN RBZ SRT VBZ VCP VGN VTC WBZ WHT	Antique Brass Antique Copper Antique Red Antique Silver Black Brown Bronze Forest Green Granite Ironstone Rustic Bronze Shadow Rust Verde Bronze Verde Copper Verde Vintage Copper Weathered Bronze White
Panel/Globe	A A B E D C P M Q	Clear Acrylic (standard) Clear Acrylic Opal Acrylic Clear Textured Acrylic Bronze Tone Acrylic Clear Seeded Acrylic Clear Polycarbonate Opal Polycarbonate Prismatic Polycarbonate
Lamping	C4	B1-4 light cluster

Specifications

CONSTRUCTION:

Cast aluminum construction. Cast aluminum post fitter slips over 3" dia. post (order separately) or tenon. Painted metal covers and two (2) piece painted metal body. Cast aluminum square cage with frog bottom. Solid aluminum finial. Cast aluminum square hinged roof for easy relamping.

FINISH:

Resilient TGIC thermoset polyester powdercoat paint is electrostatically applied to every fixture. Specially formulated for Philips Outdoor Lighting, it provides UV protection, and the highest temperature rating in the industry. In addition to the standard color choices shown, a spectrum of custom colors is available.

PANELS/LENS/GLOBE:

Set of 4 Clear Acrylic (CA) panels (standard). Acrylic panels only.

LAMPING:

40W maximum B10 lamp per candelabra base. Lamp is not included. Higher wattages may be used only with glass panels installed.

ELECTRICAL ASSEMBLY:

4-light Candelabra cluster with painted aluminum sleeves. Fixture is pre-wired with 18 AWG black, white, and ground wires. Lantern will be prewired and tested. All electrical components are ETL listed.

MOUNTING:

Fixture mounts to 3" dia. post or tenon.

Grande Plymouth Post Mount (B31830) Specification Sheet

Project Name:

Location:

MFG: Philips Lighting

Fixture Type:

Catalog No.:

Qty:

WARRANTY:

Lifetime limited warranty.

CERTIFICATIONS:

ETL Listed to U.S. safety standards for wet locations. cETL Listed to Canadian safety standards for wet locations.

Height:

33 7/8"

Width:

14 3/4"

Max. Weight:

28.25 lb.