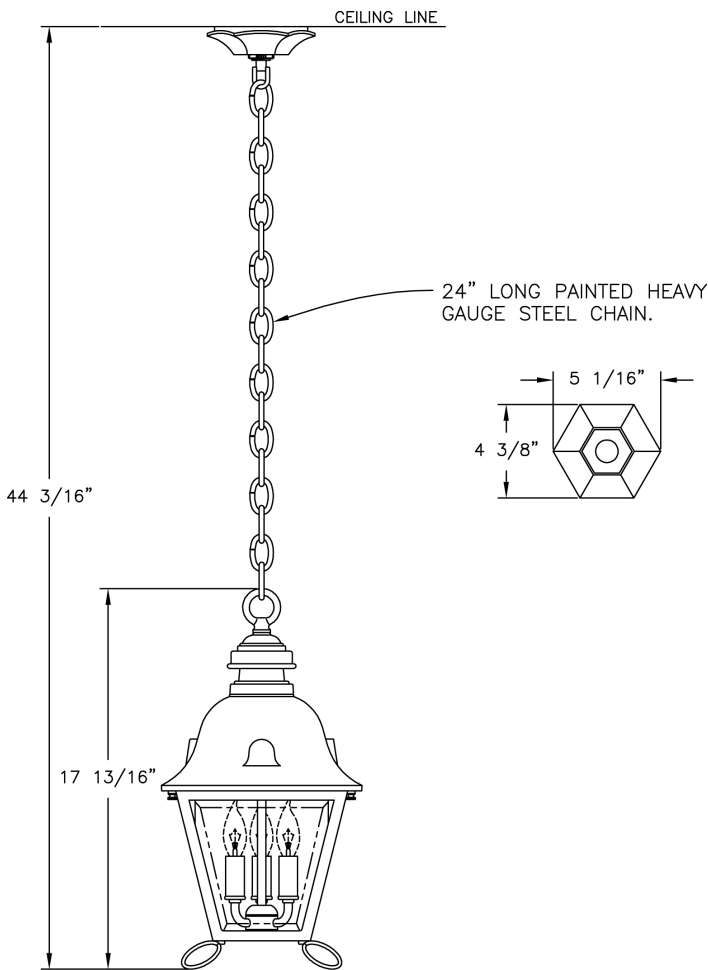


Medium Jefferson Signature Ceiling Lantern (B5819) Specification Sheet

Project Name:	Location:	MFG: Philips Lighting
Fixture Type:	Catalog No.:	Qty:



Ordering Guide

Example: B5819 ABS J C3

Product Code	B5819	Medium Jefferson Signature Ceiling Lantern
Finish	ABS ACP ARD ASI BLK BRN BRZ FGN GRA IRN RBZ SRT VBZ VCP VGN VTC WBZ WHT	Antique Brass Antique Copper Antique Red Antique Silver Black Brown Bronze Forest Green Granite Ironstone Rustic Bronze Shadow Rust Verde Bronze Verde Copper Verde Vintage Copper Weathered Bronze White
Panel/Globe	J G P C K E A D F B H L M Q	Clear Beveled Glass Clear Glass Clear Polycarbonate Clear Seeded Acrylic Clear Seeded Glass Clear Textured Acrylic Clear Acrylic Bronze Tone Acrylic Frosted Glass Opal Acrylic Opalescent Honey Glass White Iridescent Opal Polycarbonate Prismatic Polycarbonate
Lamping	C3	B1-3 light cluster

Specifications

CONSTRUCTION:

Cast aluminum ceiling canopy. Painted loop & screw collar. Spun aluminum roof cap. Cast aluminum square roof secures to roof with two (2) thumbscrews. Cast aluminum roof neck. Cast aluminum square cage with decorative loops. Painted pipe nipple. 24" long painted steel chain attached to cast aluminum loop.

FINISH:

Resilient TGIC thermoset polyester powdercoat paint is electrostatically applied to every fixture. Specially formulated for Philips Outdoor Lighting, it provides UV protection, and the highest temperature rating in the industry. In addition to the standard color choices shown, a spectrum of custom colors is available.

PANELS/LENS/GLOBE:

Set of 4 Clear Beveled Glass (CBG) panels (standard). Higher wattages may be used only with glass panels installed.

LAMPING:

Medium Jefferson Signature Ceiling Lantern (B5819) Specification Sheet

Project Name:	Location:	MFG: Philips Lighting
Fixture Type:	Catalog No.:	Qty:

25W maximum B10 lamp per candelabra base. Lamp is not included. Higher wattages may be used only with glass panels installed.

ELECTRICAL ASSEMBLY:

3-light Candelabra cluster with painted aluminum sleeves. Fixture is pre-wired with 18 AWG black, white, and ground wires. Lantern will be prewired and tested. All electrical components are ETL listed.

MOUNTING:

Mounting Hardware is supplied. See template for dimensions & mounting instructions.

WARRANTY:

Lifetime limited warranty.

CERTIFICATIONS:

ETL Listed to U.S. safety standards for damp locations. cETL Listed to Canadian safety standards for damp locations.

Height:

44 1/8"

Width:

9 3/8"

Max. Weight:

13 lb.