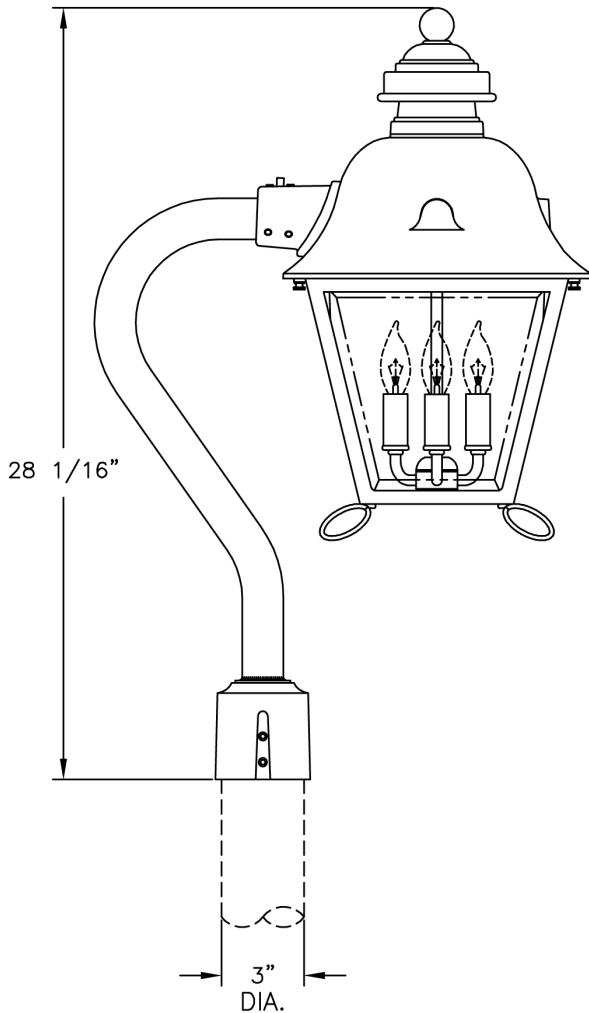


# Large Jefferson Signature Post Mount (B5739) Specification Sheet

Project Name:	Location:	MFG: Philips Lighting
Fixture Type:	Catalog No.:	Qty:



## Ordering Guide

Example: B5739 ABS J C4

Product Code	B5739	Large Jefferson Signature Post Mount
<b>Finish</b>	ABS ACP ARD ASI BLK BRN BRZ FGN GRA IRN RBZ SRT VBZ VCP VGN VTC WBZ WHT	Antique Brass Antique Copper Antique Red Antique Silver Black Brown Bronze Forest Green Granite Ironstone Rustic Bronze Shadow Rust Verde Bronze Verde Copper Verde Vintage Copper Weathered Bronze White
<b>Panel/Globe</b>	J G K F H L D A C E B M Q P	Clear Beveled Glass Glass Clear Glass Clear Seeded Glass Frosted Glass Opalescent Honey Glass White Iridescent Bronze Tone Acrylic Clear Acrylic Clear Seeded Acrylic Clear Textured Acrylic Opal Acrylic Opal Polycarbonate Prismatic Polycarbonate Clear Polycarbonate
<b>Lamping</b>	C4	B1-4 light cluster

## Specifications

### CONSTRUCTION:

Cast aluminum square roof secures to roof with two (2) thumbscrews. Cast aluminum square cage with decorative loops. Stainless steel drive pin to lock lantern to arm with stainless steel set screws to level and secure lantern to arm. Extruded aluminum bent bracket arm welded to post fitter. Cast aluminum post fitter slips over 3" dia. post (order separately) or tenon. Turned aluminum ball finial. Spun aluminum roof cap. Cast aluminum roof neck. Painted pipe nipple.

### FINISH:

Resilient TGIC thermoset polyester powdercoat paint is electrostatically applied to every fixture. Specially formulated for Philips Outdoor Lighting, it provides UV protection, and the highest temperature rating in the industry. In addition to the standard color choices shown, a spectrum of custom colors is available.

### PANELS/LENS/GLOBE:

Set of 4 Clear Beveled Glass (CBG) panels (standard). Higher wattages may be used only with glass panels installed.

### LAMPING:

# Large Jefferson Signature Post Mount (B5739) Specification Sheet

Project Name:	Location:	MFG: Philips Lighting
Fixture Type:	Catalog No.:	Qty:

25W maximum B10 lamp per candelabra base. Lamp is not included. Higher wattages may be used only with glass panels installed.

**ELECTRICAL ASSEMBLY:**

4-light Candelabra cluster with painted aluminum sleeves. Fixture is pre-wired with 18 AWG black, white, and ground wires. Lantern will be prewired and tested. All electrical components are ETL listed.

**MOUNTING:**

Fixture mounts to 3" dia. post or tenon.

**WARRANTY:**

Lifetime limited warranty.

**CERTIFICATIONS:**

ETL Listed to U.S. safety standards for wet locations. cETL Listed to Canadian safety standards for wet locations.

**Height:**

28"

**Width:**

11 1/4"

**Max. Weight:**

17.25 lb.