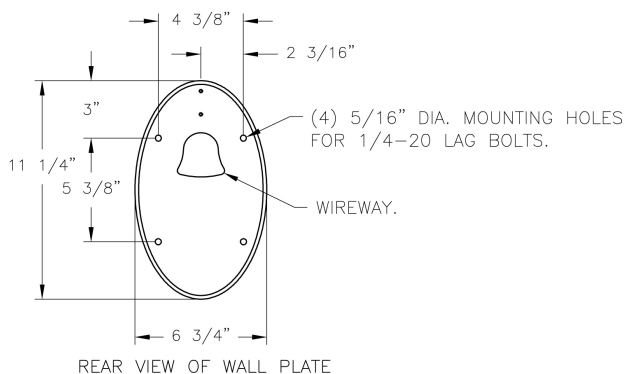
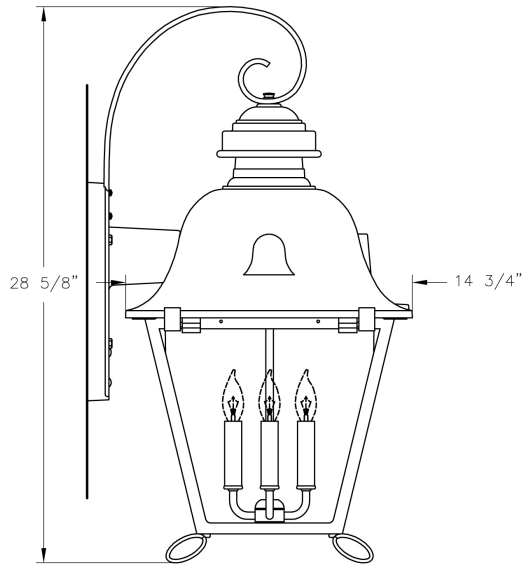


# Grande Jefferson Signature Wall Mount (B8409) Specification Sheet

Project Name:	Location:	MFG: Philips Lighting
Fixture Type:	Catalog No.:	Qty:



## Ordering Guide

Example: B8409 ABS A C4

<b>Product Code</b>	B8409	Grande Jefferson Signature Wall Mount
<b>Finish</b>	ABS ACP ARD ASI BLK BRN BRZ FGN GRA IRN RBZ SRT VBZ VCP VGN VTC WBZ WHT	Antique Brass Antique Copper Antique Red Antique Silver Black Brown Bronze Forest Green Granite Ironstone Rustic Bronze Shadow Rust Verde Bronze Verde Copper Verde Vintage Copper Weathered Bronze White
<b>Panel/Globe</b>	A D C E B	Clear Acrylic (standard) Bronze Tone Acrylic Clear Seeded Acrylic Clear Textured Acrylic Opal Acrylic
<b>Lamping</b>	C4	B1-4 light cluster

## Specifications

### CONSTRUCTION:

Spun aluminum roof cap. Cast aluminum square roof secures to roof with two (2) thumbscrews. Cast aluminum roof neck. Cast aluminum square cage with decorative loops. Extruded aluminum decorative scroll attached to roof cap & wallplate. Cast aluminum bracket arm with wallplate welded to roof for mounting lantern.

### FINISH:

Resilient TGIC thermoset polyester powdercoat paint is electrostatically applied to every fixture. Specially formulated for Philips Outdoor Lighting, it provides UV protection, and the highest temperature rating in the industry. In addition to the standard color choices shown, a spectrum of custom colors is available.

### PANELS/LENS/GLOBE:

Set of 4 Clear Acrylic (CA) panels (standard). Acrylic panels only.

### LAMPING:

25W maximum B10 lamp per candelabra base. Lamp is not included. Higher wattages may be used only with glass panels installed.

### ELECTRICAL ASSEMBLY:

4-light Candelabra cluster with painted aluminum sleeves. Fixture is pre-wired with 18 AWG black, white, and ground wires. Lantern will be prewired and tested. All electrical components are ETL listed.

# Grande Jefferson Signature Wall Mount (B8409) Specification Sheet

Project Name:	Location:	MFG: Philips Lighting
Fixture Type:	Catalog No.:	Qty:

**MOUNTING:**

See template for dimensions & mounting instructions.

**WARRANTY:**

Lifetime limited warranty.

**CERTIFICATIONS:**

ETL Listed to U.S. safety standards for wet locations. cETL Listed to Canadian safety standards for wet locations.

**Height:**

28 5/8"

**Width:**

14 3/4"

**Projection:**

16 3/4"

**Top to Outlet:**

12"

**Max. Weight:**

28.5 lb.