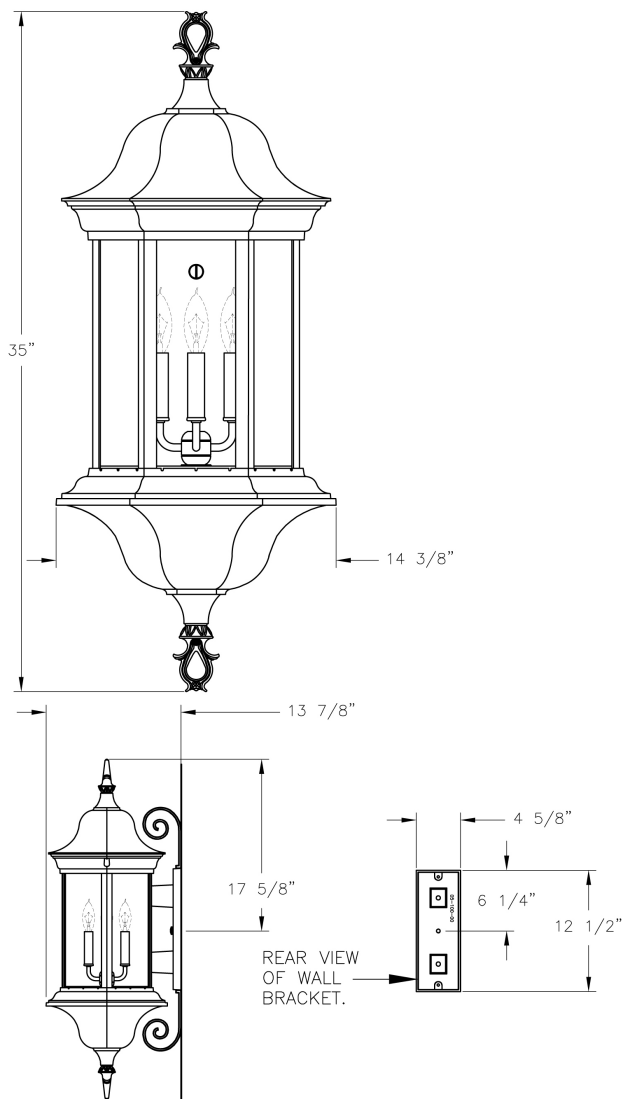


Large Manor Signature Wall Mount (B5509) Specification Sheet

Project Name:	Location:	MFG: Philips Lighting
Fixture Type:	Catalog No.:	Qty:



Ordering Guide

Example: B5509 ABS A C4

Product Code	B5509	Large Manor Signature Wall Mount
Finish	ABS ACP ARD ASI BLK BRN BRZ FGN GRA IRN RBZ SRT VBZ VGN VTC WBZ WHT	Antique Brass Antique Copper Antique Red Antique Silver Black Brown Bronze Forest Green Granite Ironstone Rustic Bronze Shadow Rust Verde Bronze Verde Copper Verde Vintage Copper Weathered Bronze White
Panel/Globe	A C E B D P M Q	Clear Acrylic (standard) Clear Seeded Acrylic Clear Textured Acrylic Opal Acrylic Bronze Tone Acrylic Clear Polycarbonate Opal Polycarbonate Prismatic Polycarbonate
Lamping	C4	B1-4 light cluster

Specifications

CONSTRUCTION:

Cast aluminum hex roof secured with thumbscrews. Knob and finial are cast aluminum. Cast aluminum roof neck. Cast aluminum wall bracket with two (2) scrolls attached to aluminum rear cage panel. Cast aluminum hex top cage ring secured to concealed cage mounting ring with stainless steel screws. Bottom Assembly consists of cast aluminum bottom cage ring, inverted cast aluminum hex roof and inverted cast aluminum neck. Six (6) extruded legs with "U" channels are securely welded to mounting ring and to bottom cage ring to form main cage assembly.

FINISH:

Resilient TGIC thermoset polyester powdercoat paint is electrostatically applied to every fixture. Specially formulated for Philips Outdoor Lighting, it provides UV protection, and the highest temperature rating in the industry. In addition to the standard color choices shown, a spectrum of custom colors is available.

PANELS/LENS/GLOBE:

Set of 5 Clear Acrylic (CA) panels (standard). Acrylic panels only.

LAMPING:

Large Manor Signature Wall Mount (B5509) Specification Sheet

Project Name:	Location:	MFG: Philips Lighting
Fixture Type:	Catalog No.:	Qty:

25W maximum B10 lamp per candelabra base. Lamp is not included. Higher wattages may be used only with glass panels installed.

ELECTRICAL ASSEMBLY:

4-light Candelabra cluster with painted aluminum sleeves. Fixture is pre-wired with 18 AWG black, white, and ground wires. Lantern will be prewired and tested. All electrical components are ETL listed.

MOUNTING:

See template for dimensions & mounting instructions.

WARRANTY:

Lifetime limited warranty.

CERTIFICATIONS:

ETL Listed to U.S. safety standards for wet locations. cETL Listed to Canadian safety standards for wet locations.

Height:

34"

Width:

14 3/8"

Projection:

13 7/8"

Top to Outlet:

17 5/8"

Max. Weight:

31.5 lb.