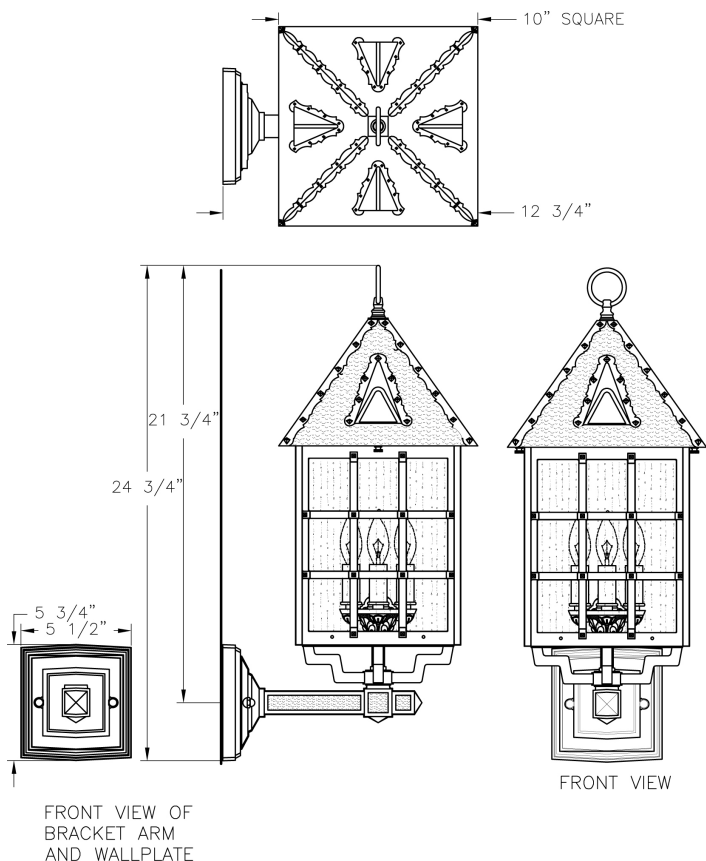


# Large Abington Signature Wall Mount (B8176) Specification Sheet

Project Name:	Location:	MFG: Philips Lighting
Fixture Type:	Catalog No.:	Qty:



## Ordering Guide

Example: B8176 ABS C C3

<b>Product Code</b>	B8176	Large Abington Signature Wall Mount
<b>Finish</b>	ABS ACP ARD ASI BLK BRN BRZ FGN GRA IRN RBZ SRT VBZ VGN VTC WBZ WHT	Antique Brass Antique Copper Antique Red Antique Silver Black Brown Bronze Forest Green Granite Ironstone Rustic Bronze Shadow Rust Verde Bronze Verde Copper Verde Vintage Copper Weathered Bronze White
<b>Panel/Globe</b>	C A E B D P M Q F K H L J G	Clear Seeded Acrylic (standard) Clear Acrylic Clear Textured Acrylic Opal Acrylic Bronze Tone Acrylic Clear Polycarbonate Opal Polycarbonate Prismatic Polycarbonate Frosted Glass Clear Seeded Glass Opalescent Honey Glass White Iridescent Clear Beveled Glass Clear Glass
<b>Lamping</b>	C3	B1-3 light cluster

## Specifications

### CONSTRUCTION:

Cast aluminum wall bracket. Cast aluminum square roof secures to roof with two (2) thumbscrews. Die-cast aluminum loop. Cast aluminum bracket arm. Cast aluminum four (4) piece cage frame securely welded together to form a single unit with frog bottom.

### FINISH:

Resilient TGIC thermoset polyester powdercoat paint is electrostatically applied to every fixture. Specially formulated for Philips Outdoor Lighting, it provides UV protection, and the highest temperature rating in the industry. In addition to the standard color choices shown, a spectrum of custom colors is available.

### PANELS/LENS/GLOBE:

Set of 4 Clear Seeded Acrylic (CSA) panels (standard). Higher wattages may be used only with glass panels installed.

### LAMPING:

# Large Abington Signature Wall Mount (B8176) Specification Sheet

Project Name:	Location:	MFG: Philips Lighting
Fixture Type:	Catalog No.:	Qty:

25W maximum B10 lamp per candelabra base. Lamp is not included. Higher wattages may be used only with glass panels installed.

## **ELECTRICAL ASSEMBLY:**

3-light Candelabra cluster with painted aluminum sleeves. Fixture is pre-wired with 18 AWG black, white, and ground wires. Lantern will be prewired and tested. All electrical components are ETL listed.

## **MOUNTING:**

See template for dimensions & mounting instructions.

## **WARRANTY:**

Lifetime limited warranty.

## **CERTIFICATIONS:**

ETL Listed to U.S. safety standards for wet locations. cETL Listed to Canadian safety standards for wet locations.

## **Height:**

24 3/4"

## **Width:**

10"

## **Projection:**

12 3/4"

## **Top to Outlet:**

21 3/4"

## **Max. Weight:**

15.25 lb.