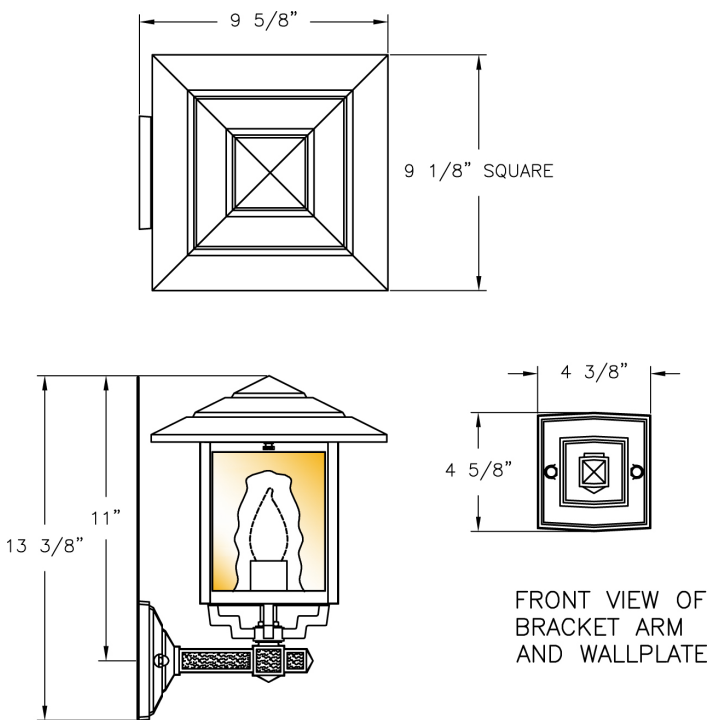


# Medium Indian Wells Wall Mount (B28310) Specification Sheet

|               |              |                       |
|---------------|--------------|-----------------------|
| Project Name: | Location:    | MFG: Philips Lighting |
| Fixture Type: | Catalog No.: | Qty:                  |



## Ordering Guide

Example: B28310 ABS H D

| Product Code       | B28310  | Medium Indian Wells Wall Mount   |
|--------------------|---|--|
| <b>Finish</b>      | ABS<br>ACP<br>ARD<br>ASI<br>BLK<br>BRN<br>BRZ<br>FGN<br>GRA<br>IRN<br>RBZ<br>SRT<br>VBP<br>VGN<br>VTC<br>WBZ<br>WHT | Antique Brass<br>Antique Copper<br>Antique Red<br>Antique Silver<br>Black<br>Brown<br>Bronze<br>Forest Green<br>Granite<br>Ironstone<br>Rustic Bronze<br>Shadow Rust<br>Verde Bronze<br>Verde Copper<br>Verde<br>Vintage Copper<br>Weathered<br>Bronze<br>White                                  |
| <b>Panel/Globe</b> | H<br>A<br>E<br>B<br>C<br>D<br>P<br>M<br>Q<br>F<br>K<br>L<br>G   | Opalescent Honey (standard)<br>Clear Acrylic<br>Clear Textured Acrylic<br>Opal Acrylic<br>Clear Seeded Acrylic<br>Bronze Tone Acrylic<br>Clear<br>Polycarbonate<br>Opal<br>Polycarbonate<br>Prismatic<br>Polycarbonate<br>Frosted Glass<br>Clear Seeded Glass<br>White Iridescent<br>Clear Glass |
| <b>Lamping</b>     | D   | Medium Base  |

## Specifications

### CONSTRUCTION:

Cast aluminum square roof secures to roof with two (2) thumbscrews. Cast aluminum bracket arm. Cast aluminum wallplate. Cast aluminum square cage without grill assembly with frog bottom.

### FINISH:

Resilient TGIC thermoset polyester powdercoat paint is electrostatically applied to every fixture. Specially formulated for Philips Outdoor Lighting, it provides UV protection, and the highest temperature rating in the industry. In addition to the standard color choices shown, a spectrum of custom colors is available.

### PANELS/LENS/GLOBE:

Beveled Glass is not available. Set of 4 Opalescent Honey Glass (OHG) panels (standard). Higher wattages may be used only with glass panels installed.

### LAMPING:

40W maximum A19 lamp per medium base socket. Lamp is not included. Higher wattages may be used only with glass panels installed.

# Medium Indian Wells Wall Mount (B28310) Specification Sheet

|               |              |                       |
|---------------|--------------|-----------------------|
| Project Name: | Location:    | MFG: Philips Lighting |
| Fixture Type: | Catalog No.: | Qty:                  |

**ELECTRICAL ASSEMBLY:**

Porcelain medium base socket with painted aluminum cover. Fixture is pre-wired with 18 AWG black, white, and ground wires. Lantern will be prewired and tested. All electrical components are ETL listed.

**MOUNTING:**

See template for dimensions & mounting instructions.

**WARRANTY:**

Lifetime limited warranty.

**CERTIFICATIONS:**

ETL Listed to U.S. safety standards for wet locations. cETL Listed to Canadian safety standards for wet locations.

**Height:**

13 3/8"

**Width:**

9 1/8"

**Projection:**

9 5/8"

**Top to Outlet:**

16 3/8"

**Max. Weight:**

9.75 lb.