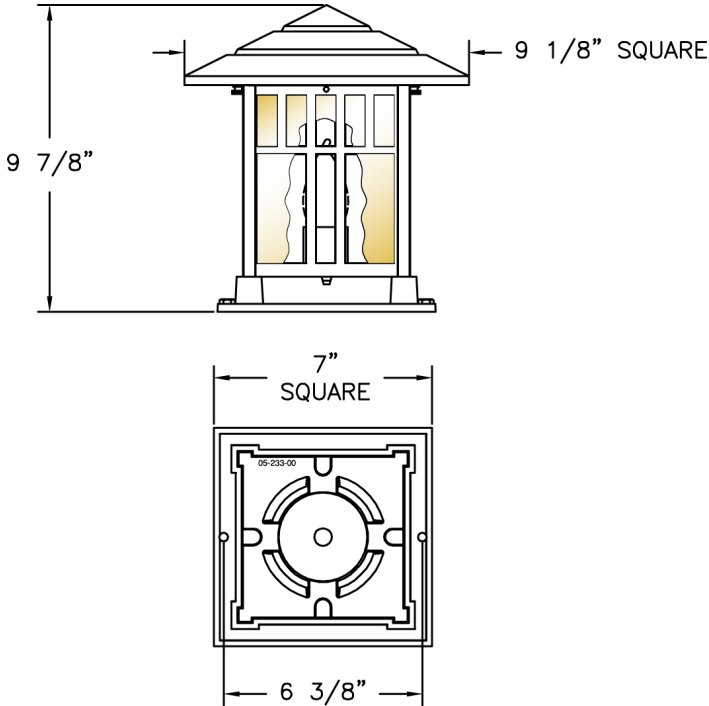


Medium Indian Wells Pier Mount (B28461) Specification Sheet

Project Name:	Location:	MFG: Philips Lighting
Fixture Type:	Catalog No.:	Qty:



Ordering Guide

Example: B28461 ABS H D

Product Code	B28461	Medium Indian Wells Pier Mount
Finish	ABS ACP ARD ASI BLK BRN BRZ FGN GRA IRN RBZ SRT VBP VGN VTC WBZ WHT	Antique Brass Antique Copper Antique Red Antique Silver Black Brown Bronze Forest Green Granite Ironstone Rustic Bronze Shadow Rust Verde Bronze Verde Copper Verde Vintage Copper Weathered Bronze White
Panel/Globe	H A E B C D P M Q F K L G	Opalescent Honey (standard) Clear Acrylic Clear Textured Acrylic Opal Acrylic Clear Seeded Acrylic Bronze Tone Acrylic Clear Polycarbonate Opal Polycarbonate Prismatic Polycarbonate Frosted Glass Clear Seeded Glass White Iridescent Clear Glass
Lamping	D	Medium Base

Specifications

CONSTRUCTION:

Cast aluminum square roof secures to roof with two (2) thumbscrews. Cast aluminum square pier base. Cast aluminum square cage with grill.

FINISH:

Resilient TGIC thermoset polyester powdercoat paint is electrostatically applied to every fixture. Specially formulated for Philips Outdoor Lighting, it provides UV protection, and the highest temperature rating in the industry. In addition to the standard color choices shown, a spectrum of custom colors is available.

PANELS/LENS/GLOBE:

Beveled Glass is not available. Set of 4 Opalescent Honey Glass (OHG) panels (standard). Higher wattages may be used only with glass panels installed.

LAMPING:

40W maximum A19 lamp per medium base socket. Lamp is not included. Higher wattages may be used only with glass panels installed.

ELECTRICAL ASSEMBLY:

Medium Indian Wells Pier Mount (B28461) Specification Sheet

Project Name:	Location:	MFG: Philips Lighting
Fixture Type:	Catalog No.:	Qty:

Porcelain medium base socket. Fixture is pre-wired with 18 AWG black, white, and ground wires. Lantern will be prewired and tested. All electrical components are ETL listed.

MOUNTING:

See template for dimensions & mounting instructions.

WARRANTY:

Lifetime limited warranty.

CERTIFICATIONS:

ETL Listed to U.S. safety standards for wet locations. cETL Listed to Canadian safety standards for wet locations.

Height:

9 7/8"

Width:

9 1/8"

Max. Weight:

10 lb.