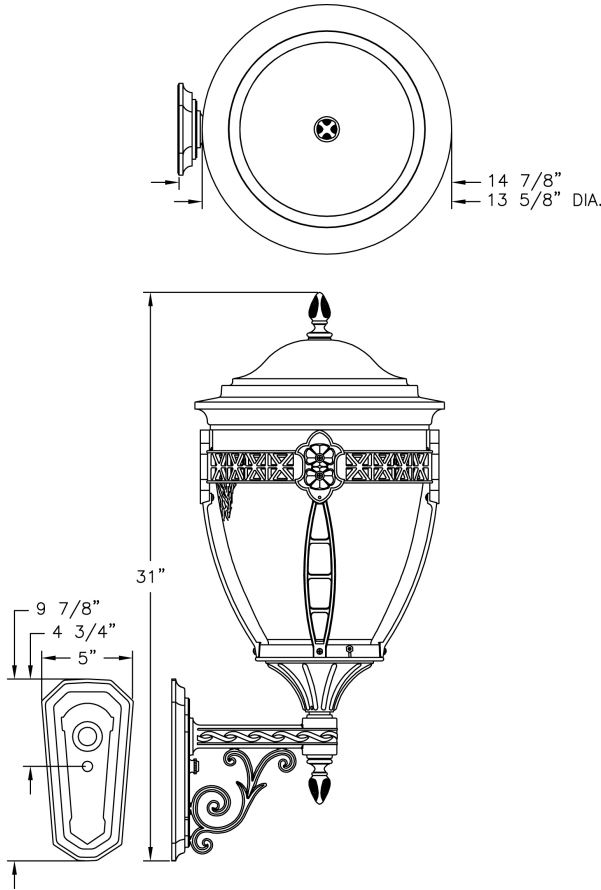


Medium North Hills Wall Mount (B33071A) Specification Sheet

Project Name:	Location:	MFG: Philips Lighting
Fixture Type:	Catalog No.:	Qty:



Ordering Guide

Example: B33071A ABS T D

Product Code	B33071A	Medium North Hills Wall Mount
Finish	ABS ACP ARD ASI BLK BRN BRZ FGN GRA IRN RBZ SRT VBZ VCP VGN VTC WBZ WHT	Antique Brass Antique Copper Antique Red Antique Silver Black Brown Bronze Forest Green Granite Ironstone Rustic Bronze Shadow Rust Verde Bronze Verde Copper Verde Vintage Copper Weathered Bronze White
Panel/Globe	T	Lg. Clear Textured Polycarbonate
Lamping	D	Medium Base

Specifications

CONSTRUCTION:

Cast aluminum decorative scroll bracket arm and wallplate. Knob and finial are cast aluminum. Cast aluminum fluted holder with two (2) weep holes. Four (4) die cast leg segments secured to holder and band segments with stainless steel screws. Four (4) die cast band segments secured together with stainless steel screws. Spun aluminum roof. Painted spun aluminum dome.

FINISH:

Resilient TGIC thermoset polyester powdercoat paint is electrostatically applied to every fixture. Specially formulated for Philips Outdoor Lighting, it provides UV protection, and the highest temperature rating in the industry. In addition to the standard color choices shown, a spectrum of custom colors is available.

PANELS/LENS/GLOBE:

Clear Textured Polycarbonate Globe (CTPG) only, UV stabilized

LAMPING:

100W maximum A19 lamp per medium base socket. Lamp is not included. Higher wattages may be used only with glass panels installed.

ELECTRICAL ASSEMBLY:

Porcelain medium base socket. Fixture is pre-wired with 18 AWG black, white, and ground wires. Lantern will be prewired and tested. All electrical components are ETL listed.

MOUNTING:

See template for dimensions & mounting instructions.

WARRANTY:

Lifetime limited warranty.

Medium North Hills Wall Mount (B33071A) Specification Sheet

Project Name:	Location:	MFG: Philips Lighting
Fixture Type:	Catalog No.:	Qty:

CERTIFICATIONS:

ETL Listed to U.S. safety standards for wet locations. cETL Listed to Canadian safety standards for wet locations.

Height:

31"

Width:

13 5/8"

Projection:

14 7/8"

Top to Outlet:

25 7/8"

Max. Weight:

13.75 lb.