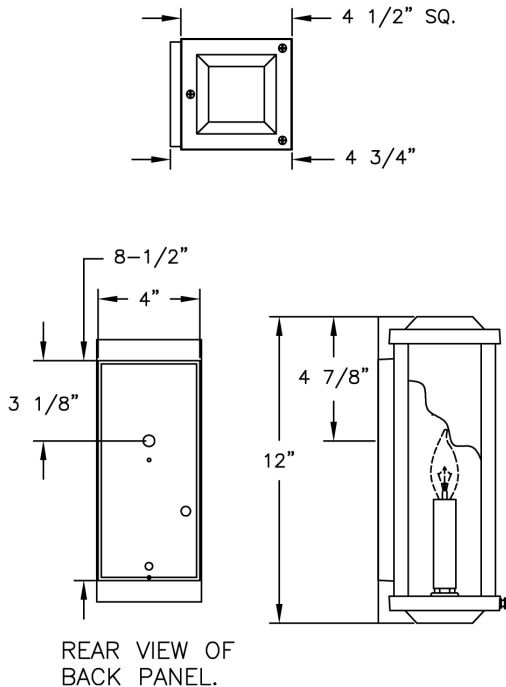


Small Gemini Wall Mount (B7999) Specification Sheet

| | | |
|---------------|--------------|-----------------------|
| Project Name: | Location: | MFG: Philips Lighting |
| Fixture Type: | Catalog No.: | Qty: |



Ordering Guide

Example: B7999 ABS B C1

| Product Code | B7999 | Small Gemini Wall Mount |
|--------------------|--|--|
| Finish | ABS ACP ARD ASI BLK BRN BRZ FGN GRA IRN RBZ SRT VBZ VCP VGN VTC WBZ WHT | Antique Brass Antique Copper Antique Red Antique Silver Black Brown Bronze Forest Green Granite Ironstone Rustic Bronze Shadow Rust Verde Bronze Verde Copper Verde Vintage Copper Weathered Bronze White |
| Panel/Globe | B C E D A P M Q | Opal Acrylic (standard) Clear Seeded Acrylic Clear Textured Acrylic Bronze Tone Acrylic Clear Acrylic Clear Polycarbonate Opal Polycarbonate Prismatic Polycarbonate |
| Lamping | C1 | Candelabra |

Specifications

CONSTRUCTION:

Extruded aluminum legs with "U" channels secure cage panels. Cast aluminum back panel. Cast aluminum square end caps.

FINISH:

Resilient TGIC thermoset polyester powdercoat paint is electrostatically applied to every fixture. Specially formulated for Philips Outdoor Lighting, it provides UV protection, and the highest temperature rating in the industry. In addition to the standard color choices shown, a spectrum of custom colors is available.

PANELS/LENS/GLOBE:

Set of 3 Opal Acrylic (OA) panels (standard). Acrylic panels only.

LAMPING:

25W maximum B10 lamp per candelabra base. Lamp is not included. Higher wattages may be used only with glass panels installed.

ELECTRICAL ASSEMBLY:

Single Candelabra socket with painted aluminum sleeve. Fixture is pre-wired with 18 AWG black, white, and ground wires. Lantern will be prewired and tested. All electrical components are ETL listed.

MOUNTING:

See template for dimensions & mounting instructions.

WARRANTY:

Lifetime limited warranty.

Small Gemini Wall Mount (B7999) Specification Sheet

| | | |
|---------------|--------------|-----------------------|
| Project Name: | Location: | MFG: Philips Lighting |
| Fixture Type: | Catalog No.: | Qty: |

CERTIFICATIONS:

ETL Listed to U.S. safety standards for wet locations. cETL Listed to Canadian safety standards for wet locations.

Height:

12"

Width:

4 1/2"

Projection:

4 3/4"

Top to Outlet:

4 7/8"

Max. Weight:

4.75 lb.