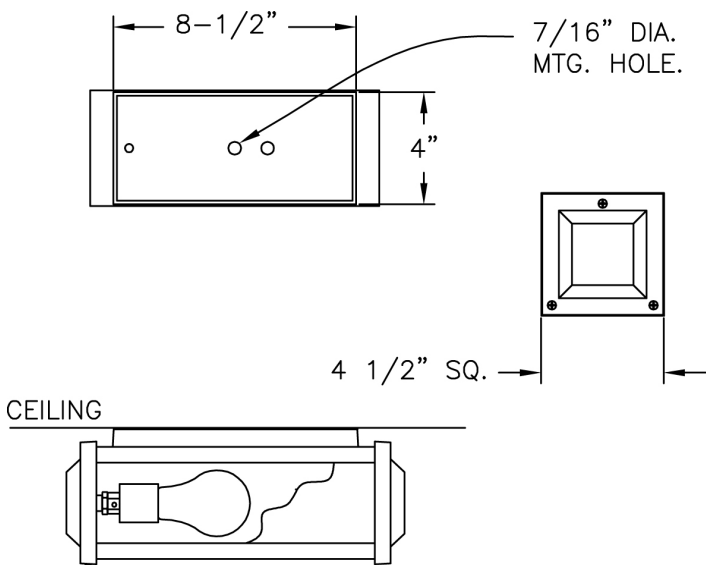


Small Gemini Ceiling Lantern (B7919) Specification Sheet

Project Name:	Location:	MFG: Philips Lighting
Fixture Type:	Catalog No.:	Qty:



Ordering Guide

Example: B7919 ABS B D

Product Code	B7919	Small Gemini Ceiling Lantern
Finish	ABS ACP ARD ASI BLK BRN BRZ FGN GRA IRN RBZ SRT VBZ VCP VGN VTC WBZ WHT	Antique Brass Antique Copper Antique Red Antique Silver Black Brown Bronze Forest Green Granite Ironstone Rustic Bronze Shadow Rust Verde Bronze Verde Copper Verde Vintage Copper Weathered Bronze White
Panel/Globe	B C E D A P M Q	Opal Acrylic (standard) Clear Seeded Acrylic Clear Textured Acrylic Bronze Tone Acrylic Clear Acrylic Clear Polycarbonate Opal Polycarbonate Prismatic Polycarbonate
Lamping	D	Medium Base

Specifications

CONSTRUCTION:

Extruded aluminum legs with "U" channels secure cage panels. Cast aluminum back panel. Cast aluminum square end caps.

FINISH:

Resilient TGIC thermoset polyester powdercoat paint is electrostatically applied to every fixture. Specially formulated for Philips Outdoor Lighting, it provides UV protection, and the highest temperature rating in the industry. In addition to the standard color choices shown, a spectrum of custom colors is available.

PANELS/LENS/GLOBE:

Set of 3 Opal Acrylic (OA) panels (standard). Acrylic panels only.

LAMPING:

40W maximum A19 lamp per medium base socket. Lamp is not included. Higher wattages may be used only with glass panels installed.

ELECTRICAL ASSEMBLY:

Porcelain medium base socket with painted aluminum cover. Fixture is pre-wired with 18 AWG black, white, and ground wires. Lantern will be prewired and tested. All electrical components are ETL listed.

MOUNTING:

See template for dimensions & mounting instructions.

WARRANTY:

Lifetime limited warranty.

Small Gemini Ceiling Lantern (B7919) Specification Sheet

Project Name:	Location:	MFG: Philips Lighting
Fixture Type:	Catalog No.:	Qty:

CERTIFICATIONS:

ETL Listed to U.S. safety standards for damp locations. cETL Listed to Canadian safety standards for damp locations.

Height:

4 1/2"

Width:

11 1/2"

Max. Weight:

5 lb.