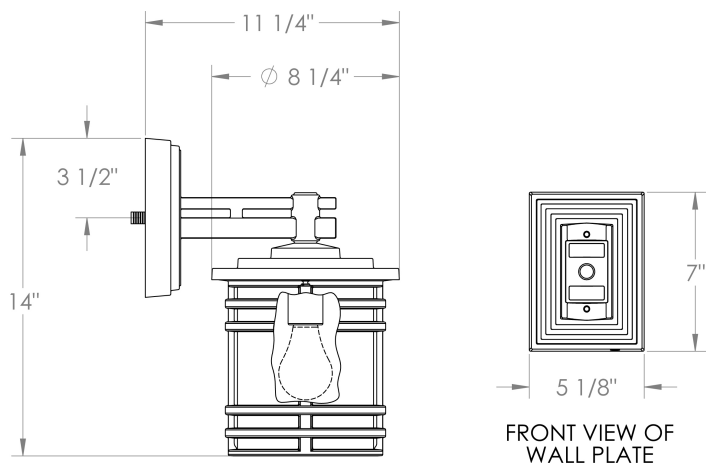


Small Aerial Wall Mount (B55212) Specification Sheet

Project Name:	Location:	MFG: Philips Lighting
Fixture Type:	Catalog No.:	Qty:



Ordering Guide

Example: B55212 ABS B D

Product Code	B55212	Small Aerial Wall Mount
Finish	ABS ACP ARD ASI BLK BRN BRZ FGN GRA IRN RBZ SRT VBZ VCP VGN VTC WBZ WHT	Antique Brass Antique Copper Antique Red Antique Silver Black Brown Bronze Forest Green Granite Ironstone Rustic Bronze Shadow Rust Verde Bronze Verde Copper Verde Vintage Copper Weathered Bronze White
Panel/Globe	B	Opal Acrylic Cylinder (only)
Lamping	D	Medium Base

Specifications

CONSTRUCTION:

Cast aluminum bracket arm. Cast aluminum wallplate. One (1) piece cast aluminum cage. Cast aluminum round top.

FINISH:

Resilient TGIC thermoset polyester powdercoat paint is electrostatically applied to every fixture. Specially formulated for Philips Outdoor Lighting, it provides UV protection, and the highest temperature rating in the industry. In addition to the standard color choices shown, a spectrum of custom colors is available.

PANELS/LENS/GLOBE:

Opal Acrylic (OA) cylinder available only.

LAMPING:

60W maximum A19 lamp per medium base socket. Lamp is not included. Higher wattages may be used only with glass panels installed.

ELECTRICAL ASSEMBLY:

Porcelain medium base socket. Fixture is pre-wired with 18 AWG black, white, and ground wires. Lantern will be prewired and tested. All electrical components are ETL listed.

MOUNTING:

See template for dimensions & mounting instructions.

WARRANTY:

Lifetime limited warranty.

CERTIFICATIONS:

ETL Listed to U.S. safety standards for wet locations. cETL Listed to Canadian safety standards for wet locations.

Height:

14"

Width:

8 1/4"

Projection:

11 1/4"

Top to Outlet:

3 1/2"

Small Aerial Wall Mount (B55212) Specification Sheet

Project Name:	Location:	MFG: Philips Lighting
Fixture Type:	Catalog No.:	Qty:

Max. Weight:
11 lb.