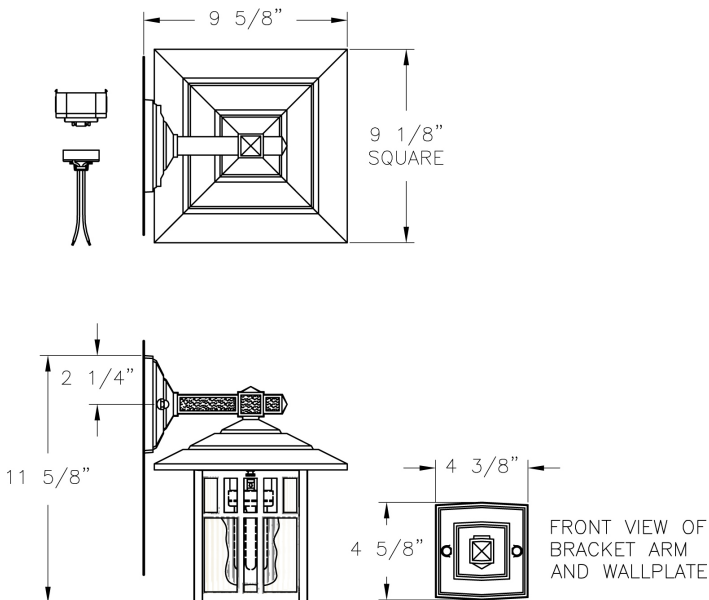


Medium Fluorescent Indian Wells Wall Mount (B28412FL) Specification Sheet

Project Name:	Location:	MFG: Philips Lighting
Fixture Type:	Catalog No.:	Qty:



Ordering Guide

Example: B28412FL ABS B 13W

Product Code	B28412FL	Medium Fluorescent Indian Wells Wall Mount
Finish	ABS ACP ARD ASI BLK BRN BRZ FGN GRA IRN RBZ SRT VBZ VCP VGN VTC WBZ WHT	Antique Brass Antique Copper Antique Red Antique Silver Black Brown Bronze Forest Green Granite Ironstone Rustic Bronze Shadow Rust Verde Bronze Verde Copper Verde Vintage Copper Weathered Bronze White
Panel/Globe	B A H L	Opal Acrylic (standard) Clear Acrylic Opalescent Honey Glass White Iridescent
Wattage/Source	13W 18W 26W	Fluorescent 13W Fluorescent 18W Fluorescent 26W

Specifications

CONSTRUCTION:

Cast aluminum square roof secures to roof with two (2) thumbscrews. Cast aluminum bracket arm. Cast aluminum wallplate. Cast aluminum square cage with grill.

FINISH:

Resilient TGIC thermoset polyester powdercoat paint is electrostatically applied to every fixture. Specially formulated for Philips Outdoor Lighting, it provides UV protection, and the highest temperature rating in the industry. In addition to the standard color choices shown, a spectrum of custom colors is available.

PANELS/LENS/GLOBE:

Set of 4 Opal Acrylic (OA) panels (standard). More opaque or colored panels are preferred to help conceal an Energy Star or Fluorescent Lamp.

LAMPING:

26W maximum fluorescent ballast. Twist lock GX24q four (4) pin socket ballast provided. Electronic fluorescent ballast (Customer must specify wattage). 120 volt HPF supplied. (Lamp not supplied).

ELECTRICAL ASSEMBLY:

Fixture is pre-wired with 18 AWG black, white, and ground wires. Lantern will be prewired and tested. All electrical components are ETL listed.

MOUNTING:

See template for dimensions & mounting instructions.

WARRANTY:

Lifetime limited warranty.

CERTIFICATIONS:

Medium Fluorescent Indian Wells Wall Mount (B28412FL) Specification Sheet

Project Name:	Location:	MFG: Philips Lighting
Fixture Type:	Catalog No.:	Qty:

ETL Listed to U.S. safety standards for wet locations. cETL Listed to Canadian safety standards for wet locations.

Height:
11 3/4"

Width:
9 1/8"

Projection:
9 5/8"

Top to Outlet:
2 1/4"

Max. Weight:
9.75 lb.