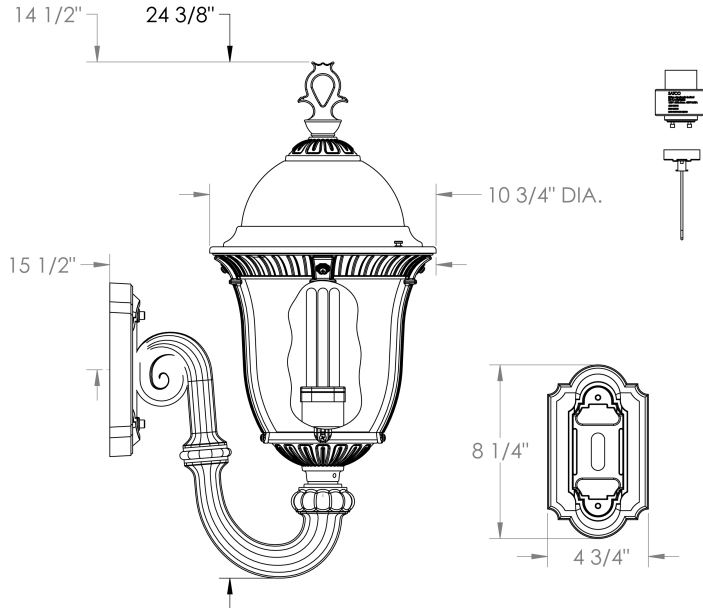


Medium Fluorescent Milano Wall Mount (B544FSMFL) Specification Sheet

Project Name:	Location:	MFG: Philips Lighting
Fixture Type:	Catalog No.:	Qty:



Ordering Guide

Example: B544FSMFL ABS 13W G

Product Code	B544FSMFL Medium Fluorescent Milano Wall Mount
Finish	ABS Antique Brass ACP Antique Copper ARD Antique Red ASI Antique Silver BLK Black BRN Brown BRZ Bronze FGN Forest Green GRA Granite IRN Ironstone RBZ Rustic Bronze SRT Shadow Rust VBZ Verde Bronze VCP Verde Copper VGN Verde VTC Vintage Copper WBZ Weathered Bronze WHT White
Panel/Globe	G Clear Glass Globe F Frosted Glass Globe R Thumb Print Globe
Wattage/Source	13W Fluorescent 13W 18W Fluorescent 18W 26W Fluorescent 26W 32W Fluorescent 32W 42W Fluorescent 42W

Specifications

CONSTRUCTION:

Cast Aluminum "S" fluted bracket arm. Cast aluminum wallplate. Four (4) cast aluminum legs secure top and bottom rings. Spun aluminum roof secures to top ring with thumbscrews. Painted spun aluminum dome. Decorative cast aluminum cage bottom. Fluted cast aluminum top ring. Cast aluminum finial & cap.

FINISH:

Resilient TGIC thermoset polyester powdercoat paint is electrostatically applied to every fixture. Specially formulated for Philips Outdoor Lighting, it provides UV protection, and the highest temperature rating in the industry. In addition to the standard color choices shown, a spectrum of custom colors is available.

PANELS/LENS/GLOBE:

Clear Glass Globe (CG) is standard. More opaque or colored panels are preferred to help conceal an Energy Star or Fluorescent Lamp.

LAMPING:

42W maximum fluorescent ballast. Twist lock GX24q four (4) pin socket ballast provided. Electronic fluorescent ballast (Customer must specify wattage). 120 volt HPF supplied. (Lamp not supplied).

ELECTRICAL ASSEMBLY:

Fixture is pre-wired with 18 AWG black, white, and ground wires. Lantern will be prewired and tested. All electrical components are ETL listed.

MOUNTING:

See template for dimensions & mounting instructions.

Medium Fluorescent Milano Wall Mount (B544FSMFL) Specification Sheet

Project Name:	Location:	MFG: Philips Lighting
Fixture Type:	Catalog No.:	Qty:

WARRANTY:

Lifetime limited warranty.

CERTIFICATIONS:

ETL Listed to U.S. safety standards for wet locations. cETL Listed to Canadian safety standards for wet locations.

Height:

24 3/8"

Width:

10 3/4"

Projection:

15 1/2"

Top to Outlet:

14 1/2"

Max. Weight:

16.25 lb.