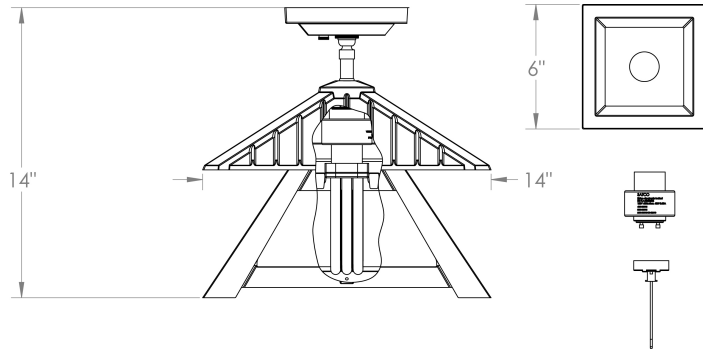


# Large Fluorescent Artisan Ceiling Lantern (B56621FL) Specification Sheet

Project Name:	Location:	MFG: Philips Lighting
Fixture Type:	Catalog No.:	Qty:



## Ordering Guide

Example: B56621FL ABS B 13W

<b>Product Code</b>	B56621FL	Large Fluorescent Artisan Ceiling Lantern
<b>Finish</b>	ABS ACP ARD ASI BLK BRN BRZ FGN GRA IRN RBZ SRT VBZ VCP VGN VTC WBZ WHT	Antique Brass Antique Copper Antique Red Antique Silver Black Brown Bronze Forest Green Granite Ironstone Rustic Bronze Shadow Rust Verde Bronze Verde Copper Verde Vintage Copper Weathered Bronze White
<b>Panel/Globe</b>	B F H L	Opal Acrylic (standard) Frosted Glass Opalescent Honey Glass White Iridescent
<b>Wattage/Source</b>	13W 18W 26W 32W 42W	Fluorescent 13W Fluorescent 18W Fluorescent 26W Fluorescent 32W Fluorescent 42W

## Specifications

### CONSTRUCTION:

Cast aluminum roof and cage. Cast aluminum ceiling canopy. Painted aluminum sleeve covers brass hang-straight.

### FINISH:

Resilient TGIC thermoset polyester powdercoat paint is electrostatically applied to every fixture. Specially formulated for Philips Outdoor Lighting, it provides UV protection, and the highest temperature rating in the industry. In addition to the standard color choices shown, a spectrum of custom colors is available.

### PANELS/LENS/GLOBE:

Set of 4 Opal Acrylic (OA) panels (standard). More opaque or colored panels are preferred to help conceal an Energy Star or Fluorescent Lamp.

### LAMPING:

42W maximum fluorescent ballast. Twist lock GX24q four (4) pin socket ballast provided. Electronic fluorescent ballast (Customer must specify wattage). 120 volt HPF supplied. (Lamp not supplied).

### ELECTRICAL ASSEMBLY:

Fixture is pre-wired with 18 AWG black, white, and ground wires. Lantern will be prewired and tested. All electrical components are ETL listed.

### MOUNTING:

Mounting Hardware is supplied. See template for dimensions & mounting instructions.

# Large Fluorescent Artisan Ceiling Lantern (B56621FL) Specification Sheet

Project Name:

Location:

MFG: Philips Lighting

Fixture Type:

Catalog No.:

Qty:

**WARRANTY:**

Lifetime limited warranty.

**CERTIFICATIONS:**

ETL Listed to U.S. safety standards for damp locations. cETL Listed to Canadian safety standards for damp locations.

**Height:**

14"

**Width:**

14"

**Max. Weight:**