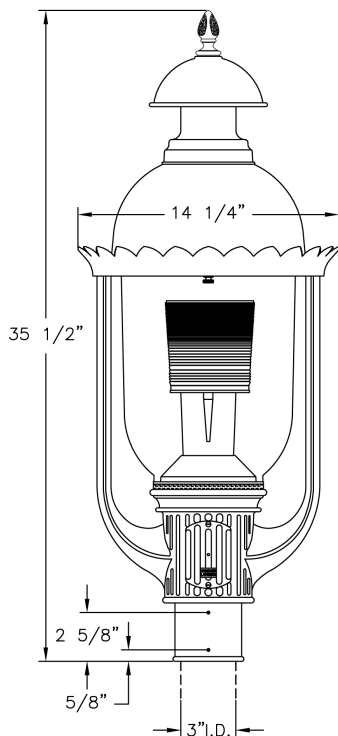


Providence ((DISCONTINUED) 1640) Specification Sheet

Project Name:	Location:	MFG: Philips Lighting
Fixture Type:	Catalog No.:	Qty:



Ordering Guide

Example: (DISCONTINUED) 1640 P ABS P D 50H E A B

Product Code	(DISCONTINUED) Providence 1640	
Dome/Roof	P W U C	Match Finish White White Cap Copper
Finish	ABS ACP ARD ASI BLK BRN BRZ FGN GRA IRN RBZ SRT VBZ VCP VGN VTC WBZ WHT	Antique Brass Antique Copper Antique Red Antique Silver Black Brown Bronze Forest Green Granite Ironstone Rustic Bronze Shadow Rust Verde Bronze Verde Copper Verde Vintage Copper Weathered Bronze White
Panel/Globe	P	Clear Polycarbonate
Socket	D	Medium
Wattage/Source	50H 70H 35S 50S 70S 100S 100I	50W MH 70W MH 35W HPS 50W HPS 70W HPS 100W HPS 100W INC.
Voltage	E F G H	120V 208V 240V 277V
Distribution	A V W	4" Type V - Refractor Bowl Type V - Cone Frosted Chimney - No Internal Optics
Photoeye	B N	Button Eye None

Specifications

CONSTRUCTION:

Cast aluminum finial with a spun roof cap & neck. Spun Aluminum or Copper Roof. (Customer must specify roof). Cast aluminum scalloped support ring with 4 weep holes. Thumbscrews provided for relamping. Cast aluminum two-piece refractor holder assembly. Cast aluminum top ballast housing cap. Decorative brass band. Cast aluminum main housing.

FINISH:

Resilient TGIC thermoset polyester powdercoat paint is electrostatically applied to every fixture. Specially formulated for Philips Outdoor Lighting, it provides UV protection, and the highest temperature rating in the industry. In addition to the standard color choices shown, a spectrum of custom colors is available.

Providence ((DISCONTINUED) 1640) Specification Sheet

Project Name:	Location:	MFG: Philips Lighting
Fixture Type:	Catalog No.:	Qty:

PANELS/LENS/GLOBE:

Clear Polycarbonate (P) U.V. stabilized decorative body.

LAMPING:

Lamp is not included.

ELECTRICAL ASSEMBLY:

Lantern will be prewired and tested. All electrical components are ETL listed.

BALLAST:

Cast aluminum moisture proof compartment houses ballast and component parts. (Customer must specify wattage & voltage required.)

MOUNTING:

Fixture mounts to 3" dia. post or tenon.

WARRANTY:

Three-year limited warranty.

CERTIFICATIONS:

ETL Listed to U.S. safety standards for wet locations. cETL Listed to Canadian safety standards for wet locations.

Height:

35 1/2"

Width:

14 1/4"

EPA:

2.00

Max. Weight:

25 lbs.