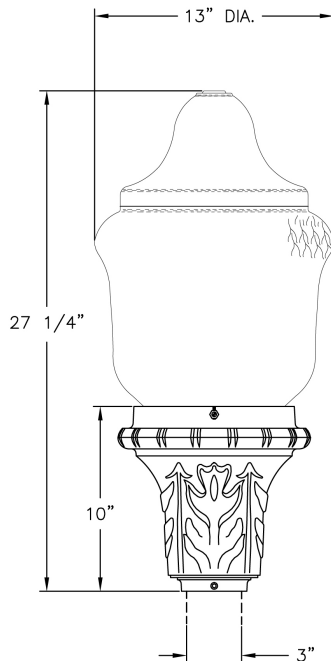


Wirt Park ((DISCONTINUED) 1830) Specification Sheet

Project Name:	Location:	MFG: Philips Lighting
Fixture Type:	Catalog No.:	Qty:



Ordering Guide

Example: (DISCONTINUED) 1830 D ABS S D 50H E B B A

Product Code	(DISCONTINUED) Park 1830	
Fitter	D R	Decorative Ribbed
Finish	ABS ACP ARD ASI BLK BRN BRZ FGN GRA IRN RBZ SRT VBZ VCP VGN VTC WBZ WHT	Antique Brass Antique Copper Antique Red Antique Silver Black Brown Bronze Forest Green Granite Ironstone Rustic Bronze Shadow Rust Verde Bronze Verde Copper Verde Vintage Copper Weathered Bronze White
Panel/Globe	S	Sm. Textured Polycarbonate
Socket	D G L R	Medium Mogul LED Induction
Wattage/Source	50H 70H 100H 35S 50S 70S 100S 55R	50W MH 70W MH 100W MH 35W HPS 50W HPS 70W HPS 100W HPS 55W Induction
Voltage	E F G H	120V 208V 240V 277V
Distribution	B C N	6" Type V Distrib. 6" Type III Distrib. None
Photoeye	B N	Button Eye None
Finial	A N	Acorn None

Specifications

CONSTRUCTION:

Leaf pattern fitter slips over 3" diameter post or tenon.

FINISH:

Resilient TGIC thermoset polyester powdercoat paint is electrostatically applied to every fixture. Specially formulated for Philips Outdoor Lighting, it provides UV protection, and

Wirt Park ((DISCONTINUED) 1830) Specification Sheet

Project Name:	Location:	MFG: Philips Lighting
Fixture Type:	Catalog No.:	Qty:

the highest temperature rating in the industry. In addition to the standard color choices shown, a spectrum of custom colors is available.

PANELS/LENS/GLOBE:

See lenses for available options.

LAMPING:

Lamp is not included.

ELECTRICAL ASSEMBLY:

Lantern will be prewired and tested. All electrical components are ETL listed.

BALLAST:

Two piece cast aluminum watertight ballast compartment with leaf pattern. (Customer must specify ballast wattage and voltage required.)

MOUNTING:

Fixture mounts to 3" dia. post or tenon.

WARRANTY:

Three-year limited warranty.

CERTIFICATIONS:

ETL Listed to U.S. safety standards for wet locations. cETL Listed to Canadian safety standards for wet locations.

Height:

27 1/2" or 30 1/4"

Width:

13"

Fitter:

3" I.D.

EPA:

1.65

Max. Weight:

27 lbs.