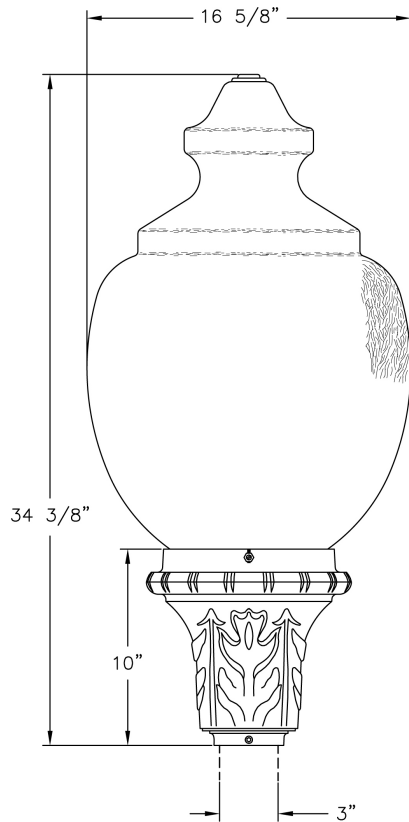


Lakewood Park (1900) Specification Sheet

Project Name:	Location:	MFG: Philips Lighting
Fixture Type:	Catalog No.:	Qty:



Ordering Guide

Example: 1900 D ABS T D 50H E B B A

Product Code	1900	Lakewood Park
Fitter	D R	Decorative Ribbed
Finish	ABS ACP ARD ASI BLK BRN BRZ FGN GRA IRN RBZ SRT VBZ VCP VGN VTC WBZ WHT	Antique Brass Antique Copper Antique Red Antique Silver Black Brown Bronze Forest Green Granite Ironstone Rustic Bronze Shadow Rust Verde Bronze Verde Copper Verde Vintage Copper Weathered Bronze White
Panel/Globe	T U	Lg. Clear Textured Polycarbonate Lg. Clear Textured Polycarbonate w/ Spun Top
Socket	D G L R	Medium Mogul LED Induction
Wattage/Source	50H 70H 100H 150H 250H 35S 50S 70S 100S 150S 250S 200I 55R 85R 165R LED	50W MH 70W MH 100W MH 150W MH 250W MH 35W HPS 50W HPS 70W HPS 100W HPS 150W HPS 250W HPS 200W INC 55W Induction 85W Induction 165W Induction LED
Voltage	E F G H	120V 208V 240V 277V
Distribution	B C N	6" Type V Distrib. 6" Type III Distrib. None
Photoeye	B N	Button Eye None
Finial	A N	Acorn None

Lakewood Park (1900) Specification Sheet

Project Name:	Location:	MFG: Philips Lighting
Fixture Type:	Catalog No.:	Qty:

Specifications

CONSTRUCTION:

Fitter slips over 3" diameter post or tenon.

FINISH:

Resilient TGIC thermoset polyester powdercoat paint is electrostatically applied to every fixture. Specially formulated for Philips Outdoor Lighting, it provides UV protection, and the highest temperature rating in the industry. In addition to the standard color choices shown, a spectrum of custom colors is available.

PANELS/LENS/GLOBE:

See lenses for available options.

LAMPING:

Lamp is not included.

ELECTRICAL ASSEMBLY:

Lantern will be prewired and tested. All electrical components are ETL listed.

BALLAST:

Two piece cast aluminum watertight ballast compartment with leaf pattern. (Customer must specify ballast wattage and voltage required.)

MOUNTING:

Fixture mounts to 3" dia. post or tenon.

WARRANTY:

Three-year limited warranty.

CERTIFICATIONS:

ETL Listed to U.S. safety standards for wet locations. cETL Listed to Canadian safety standards for wet locations.

Height:

34" or 38"

Width:

16 1/2"

Fitter:

3" I.D.

EPA:

2.50

Max. Weight:

30 lbs.