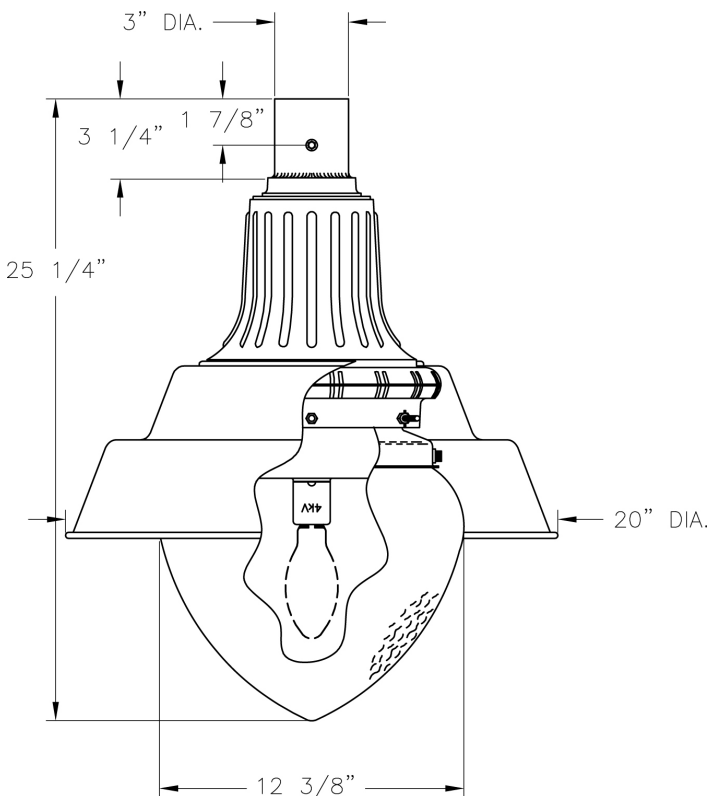


# Sante Fe (2260) Specification Sheet

Project Name:	Location:	MFG: Philips Lighting
Fixture Type:	Catalog No.:	Qty:



## Ordering Guide

Example: 2260 ABS S D 50H E N B

Product Code	2260	Sante Fe
<b>Finish</b>	ABS ACP ARD ASI BLK BRN BRZ FGN GRA IRN RBZ SRT VBZ VCP VGN VTC WBZ WHT	Antique Brass Antique Copper Antique Red Antique Silver Black Brown Bronze Forest Green Granite Ironstone Rustic Bronze Shadow Rust Verde Bronze Verde Copper Verde Vintage Copper Weathered Bronze White
<b>Panel/Globe</b>	S	Sm. Textured Polycarbonate
<b>Socket</b>	D	Medium
<b>Wattage/Source</b>	50H 70H 100H 150H 35S 50S 70S 100S 150S 150I	50W MH 70W MH 100W MH 150W MH 35W HPS 50W HPS 70W HPS 100W HPS 150W HPS 150W INC. *1
<b>Voltage</b>	E F G H	120V 208V 240V 277V
<b>Distribution</b>	N	None
<b>Photoeye</b>	B N	Button Eye None

\*1 35W HPS and 150W INC (E) 120V Only

## Specifications

### CONSTRUCTION:

3" dia. aluminum fitter welded to cast aluminum fluted ballast housing. Spun aluminum neck fitter. Spun aluminum shade painted white inside.

### FINISH:

Resilient TGIC thermoset polyester powdercoat paint is electrostatically applied to every fixture. Specially formulated for Philips Outdoor Lighting, it provides UV protection, and the highest temperature rating in the industry. In addition to the standard color choices shown, a spectrum of custom colors is available.

### PANELS/LENS/GLOBE:

Clear ripple textured polycarbonate globe U.V. stabilized.

### LAMPING:

Lamp is not included.

### ELECTRICAL ASSEMBLY:

Lantern will be prewired and tested. All electrical components are ETL listed.

## Sante Fe (2260) Specification Sheet

Project Name:	Location:	MFG: Philips Lighting
Fixture Type:	Catalog No.:	Qty:

**BALLAST:**

Two piece cast aluminum watertight ballast compartment with 16 flutes. (Customer must specify ballast wattage and voltage required.)

**MOUNTING:**

Fixture mounts to bracket arm. See accessories.

**WARRANTY:**

Three-year limited warranty.

**CERTIFICATIONS:**

ETL Listed to U.S. safety standards for wet locations. cETL Listed to Canadian safety standards for wet locations.

**Height:**

25 1/8"

**Width:**

20"

**Fitter:**

3"

**EPA:**

1.38

**Max. Weight:**

44 lbs.