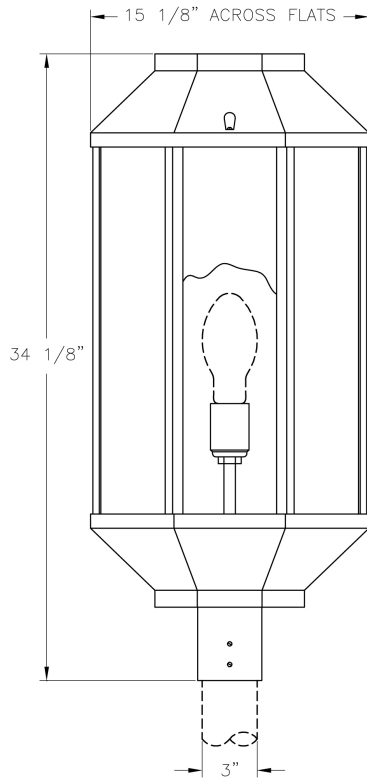


Seattle (2930) Specification Sheet

Project Name:	Location:	MFG: Philips Lighting
Fixture Type:	Catalog No.:	Qty:



Ordering Guide

Example: 2930 ABS A D 50H E B B

Product Code	2930	Seattle
Finish	ABS ACP ARD ASI BLK BRN BRZ FGN GRA IRN RBZ SRT VBZ VCP VGN VTC WBZ WHT	Antique Brass Antique Copper Antique Red Antique Silver Black Brown Bronze Forest Green Granite Ironstone Rustic Bronze Shadow Rust Verde Bronze Verde Copper Verde Vintage Copper Weathered Bronze White
Panel/Globe	A B C D E M P Q	Clear Acrylic Opal Acrylic Clear Seeded Acrylic Bronze Tone Acrylic Clear Textured Acrylic Opal Polycarbonate Clear Polycarbonate Prismatic Polycarbonate
Socket	D G L R	Medium Mogul LED Induction
Wattage/Source	50H 70H 100H 150H 250H 35S 50S 70S 100S 150S 250S 200I 55R 85R LED	50W MH 70W MH 100W MH 150W MH 250W MH 35W HPS 50W HPS 70W HPS 100W HPS 150W HPS 250W HPS 200W INC 55W Induction 85W Induction LED
Voltage	E F G H	120V 208V 240V 277V
Distribution	B C D E	6" Type V Distrib. 6" Type III Distrib. 8" Type V Distrib. 8" Type II

Seattle (2930) Specification Sheet

Project Name:	Location:	MFG: Philips Lighting
Fixture Type:	Catalog No.:	Qty:

	N	Distrib. None	
Photoeye	B N	Button Eye None	*1

*1 Button Eye (B) only available with 120V.

Specifications

CONSTRUCTION:

Cast aluminum octagonal roof. 8 Extruded aluminum vertical cage legs welded to top cage frame and bottom cage. Cast aluminum ballast housing. 3" Schedule 40 aluminum tubing slips over 3" dia. post or tenon. Cast aluminum octagonal bottom cage.

FINISH:

Resilient TGIC thermoset polyester powdercoat paint is electrostatically applied to every fixture. Specially formulated for Philips Outdoor Lighting, it provides UV protection, and the highest temperature rating in the industry. In addition to the standard color choices shown, a spectrum of custom colors is available.

PANELS/LENS/GLOBE:

See lenses for available options.

LAMPING:

Lamp is not included.

ELECTRICAL ASSEMBLY:

Lantern will be prewired and tested. All electrical components are ETL listed.

BALLAST:

Ballast and component parts are contained inside. (Customer must specify ballast type, wattage, voltage, and power factor.)

MOUNTING:

Fixture mounts to 3" dia. post or tenon.

WARRANTY:

Three-year limited warranty.

CERTIFICATIONS:

ETL Listed to U.S. safety standards for wet locations. cETL Listed to Canadian safety standards for wet locations.

Height:

34"

Width:

15"

EPA:

3.03

Max. Weight:

40 lbs.