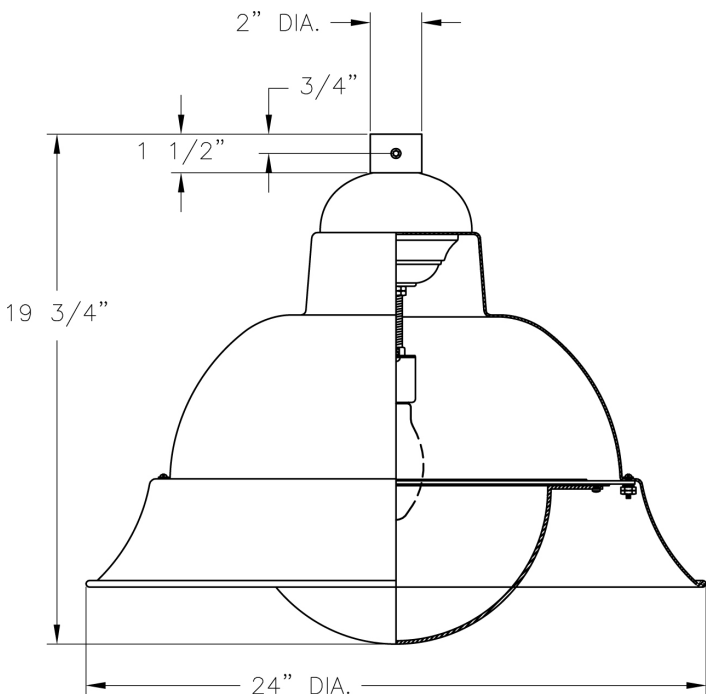


# Seneca (3321) Specification Sheet

Project Name:	Location:	MFG: Philips Lighting
Fixture Type:	Catalog No.:	Qty:



## Ordering Guide

Example: 3321 ABS B D 50H E N N

Product Code	3321	Seneca	
<b>Finish</b>	ABS	Antique Brass	
	ACP	Antique Copper	
	ARD	Antique Red	
	ASI	Antique Silver	
	BLK	Black	
	BRN	Brown	
	BRZ	Bronze	
	FGN	Forest Green	
	GRA	Granite	
	IRN	Ironstone	
	RBZ	Rustic Bronze	
	SRT	Shadow Rust	
	VBZ	Verde Bronze	
	VCP	Verde Copper	
	VGN	Verde	
	VTC	Vintage Copper	
	WBZ	Weathered Bronze	
	WHT	White	
<b>Panel/Globe</b>	B	Opal Acrylic	
<b>Socket</b>	D	Medium	
<b>Wattage/Source</b>	50H	50W MH	*1
	35S	35W HPS	*1,2
	50S	50W HPS	*1
	70S	70W HPS	*1
	60I	60W INC.	*1,2
<b>Voltage</b>	E	120V	
	F	208V	
	G	240V	
	H	277V	
<b>Distribution</b>	N	None	
<b>Photoeye</b>	N	None	

\*1 Ballast not included, order ballast with arms

\*2 120V (E) Voltage Only

## Specifications

### CONSTRUCTION:

Two-piece cast aluminum 2" dia. splicing cup. Cast aluminum cap. (Painted white.) Spun aluminum shade. (Painted white under.) Cast aluminum inner 18" dia. holding ring painted white. Ring attaches to spun roof with stainless steel screws.

### FINISH:

Resilient TGIC thermoset polyester powdercoat paint is electrostatically applied to every fixture. Specially formulated for Philips Outdoor Lighting, it provides UV protection, and the highest temperature rating in the industry. In addition to the standard color choices shown, a spectrum of custom colors is available.

### PANELS/LENS/GLOBE:

12" dia. 1/2 sphere with 2" lip Opal Acrylic (B).

### LAMPING:

Lamp is not included.

### ELECTRICAL ASSEMBLY:

Lantern will be prewired and tested. All electrical components are ETL listed.

### BALLAST:

For ballast selection see accessories.

### MOUNTING:

2" dia. Splicing Cup machined to fit Hanover Lantern brackets. See available brackets under accessories.

# Seneca (3321) Specification Sheet

Project Name:

Location:

MFG: Philips Lighting

Fixture Type:

Catalog No.:

Qty:

**WARRANTY:**

Three-year limited warranty.

**CERTIFICATIONS:**

ETL Listed to U.S. safety standards for wet locations. cETL Listed to Canadian safety standards for wet locations.

**Height:**

19 3/4"

**Width:**

24"

**Fitter:**

2"

**EPA:**

1.43

**Max. Weight:**

12 lbs.