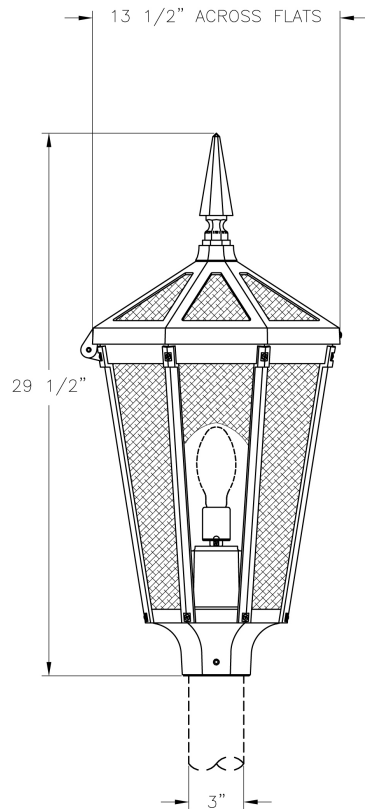


# Battery Park (3730) Specification Sheet

Project Name:	Location:	MFG: Philips Lighting
Fixture Type:	Catalog No.:	Qty:



## Ordering Guide

Example: 3730 S ABS A D 50H E B B

<b>Product Code</b>	3730	Battery Park
<b>Spikes (optional)</b>	S	Spikes
<b>Finish</b>	ABS ACP ARD ASI BLK BRN BRZ FGN GRA IRN RBZ SRT VBZ VCP VGN VTC WBZ WHT	Antique Brass Antique Copper Antique Red Antique Silver Black Brown Bronze Forest Green Granite Ironstone Rustic Bronze Shadow Rust Verde Bronze Verde Copper Verde Vintage Copper Weathered Bronze White
<b>Panel/Globe</b>	A B C D E M P Q	Clear Acrylic Opal Acrylic Clear Seeded Acrylic Bronze Tone Acrylic Clear Textured Acrylic Opal Polycarbonate Clear Polycarbonate Prismatic Polycarbonate
<b>Socket</b>	D G R L	Medium Mogul Induction LED
<b>Wattage/Source</b>	50H 70H 100H 35S 50S 70S 100S 100I 55R 85R LED	50W MH 70W MH 100W MH 35W HPS 50W HPS 70W HPS 100W HPS 100W INC. 55W Induction 85W Induction LED
<b>Voltage</b>	E F G H	120V 208V 240V 277V
<b>Distribution</b>	B C N	6" Type V Distrib. 6" Type III Distrib. None
<b>Photoeye</b>	B N	Button Eye None

# Battery Park (3730) Specification Sheet

Project Name:	Location:	MFG: Philips Lighting
Fixture Type:	Catalog No.:	Qty:

## Specifications

### CONSTRUCTION:

Cast aluminum octagon top spike. Continuous foam rubber gasket between roof and cage. Cast aluminum octagon roof is hinged for easy access. Cast aluminum hinged octagon top cage ring. 8 cast aluminum cage legs. Cast aluminum cage bottom/ post fitter combination fits 3" dia. post or tenon.

### FINISH:

Resilient TGIC thermoset polyester powdercoat paint is electrostatically applied to every fixture. Specially formulated for Philips Outdoor Lighting, it provides UV protection, and the highest temperature rating in the industry. In addition to the standard color choices shown, a spectrum of custom colors is available.

### PANELS/LENS/GLOBE:

See lenses for available options.

### LAMPING:

Lamp is not included.

### ELECTRICAL ASSEMBLY:

Lantern will be prewired and tested. All electrical components are ETL listed.

### BALLAST:

Cast aluminum ballast housing secures to cage bottom with stainless steel screws. (Customer must specify ballast type, wattage, voltage and power factor.)

### MOUNTING:

Fixture mounts to 3" dia. post or tenon.

### WARRANTY:

Three-year limited warranty.

### CERTIFICATIONS:

ETL Listed to U.S. safety standards for wet locations. cETL Listed to Canadian safety standards for wet locations.

### Height:

29 5/8"

### Width:

13 1/2" or 16 1/4"

### Fitter:

3" I.D.

### EPA:

1.40 or 1.45

### Max. Weight:

46 lbs.