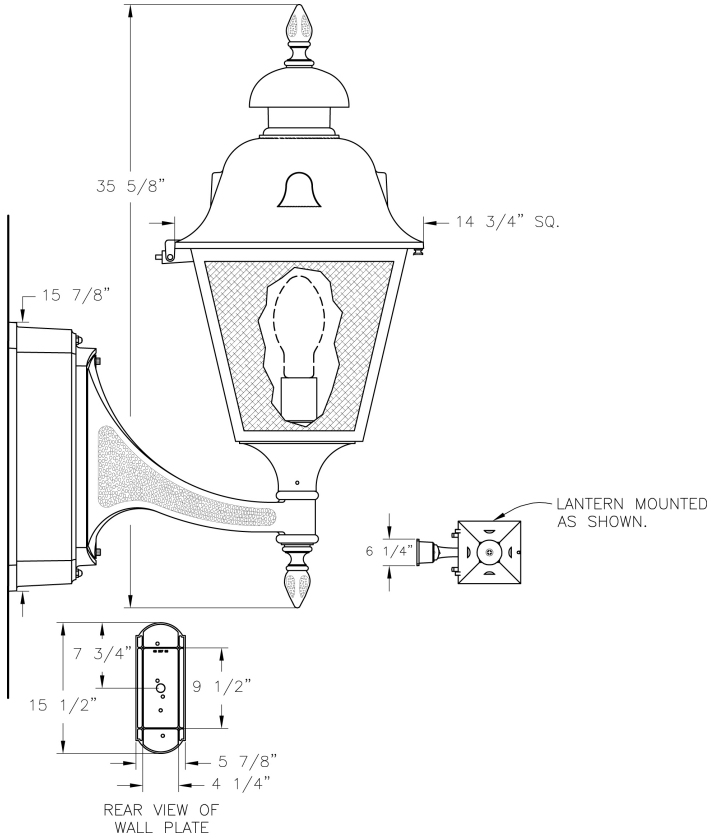


Grande Jefferson (8410) Specification Sheet

Project Name:	Location:	MFG: Philips Lighting
Fixture Type:	Catalog No.:	Qty:



Ordering Guide

Example: 8410 ABS A D 50H E B B

Product Code	8410	Grande Jefferson
Finish	ABS ACP ARD ASI BLK BRN BRZ FGN GRA IRN RBZ SRT VBZ VCP VGN VTC WBZ WHT	Antique Brass Antique Copper Antique Red Antique Silver Black Brown Bronze Forest Green Granite Ironstone Rustic Bronze Shadow Rust Verde Bronze Verde Copper Verde Vintage Copper Weathered Bronze White
Panel/Globe	A B C D E M P Q	Clear Acrylic Opal Acrylic Clear Seeded Acrylic Bronze Tone Acrylic Clear Textured Acrylic Opal Polycarbonate Clear Polycarbonate Prismatic Polycarbonate
Socket	D G L R	Medium Mogul LED Induction
Wattage/Source	50H 70H 100H 150H 50S 70S 100S 150S 150I 55R 85R LED	50W MH 70W MH 100W MH 150W MH 50W HPS 70W HPS 100W HPS 150W HPS 150W INC. 55W Induction 85W Induction LED
Voltage	E F G H	120V 208V 240V 277V
Distribution	B C D E N	6" Type V Distrib. 6" Type III Distrib. 8" Type V Distrib. 8" Type II Distrib. None

Grande Jefferson (8410) Specification Sheet

Project Name:	Location:	MFG: Philips Lighting
Fixture Type:	Catalog No.:	Qty:

Photoeye	B	Button Eye	*1
	N	None	

*1 Button Eye (B) only available in 120V (E).

Specifications

CONSTRUCTION:

Cast aluminum finial and knob. Cast aluminum cap and neck. Cast aluminum hinged square roof secured with thumbscrews. Cast aluminum square cage with cone bottom. Cast aluminum bracket arm and ballast housing with wall plate.

FINISH:

Resilient TGIC thermoset polyester powdercoat paint is electrostatically applied to every fixture. Specially formulated for Philips Outdoor Lighting, it provides UV protection, and the highest temperature rating in the industry. In addition to the standard color choices shown, a spectrum of custom colors is available.

PANELS/LENS/GLOBE:

See lenses for available options.

LAMPING:

Lamp is not included.

ELECTRICAL ASSEMBLY:

Lantern will be prewired and tested. All electrical components are ETL listed.

BALLAST:

Ballast mounted inside moisture proof pod. (Customer must specify ballast wattage and voltage.)

MOUNTING:

See template for dimensions & mounting instructions.

WARRANTY:

Three-year limited warranty.

CERTIFICATIONS:

ETL Listed to U.S. safety standards for wet locations. cETL Listed to Canadian safety standards for wet locations.

Height:

35 3/4"

Width:

14 3/4"

Projection:

24 1/2"

Top to Outlet:

26 7/8"

Max. Weight:

44 lbs.