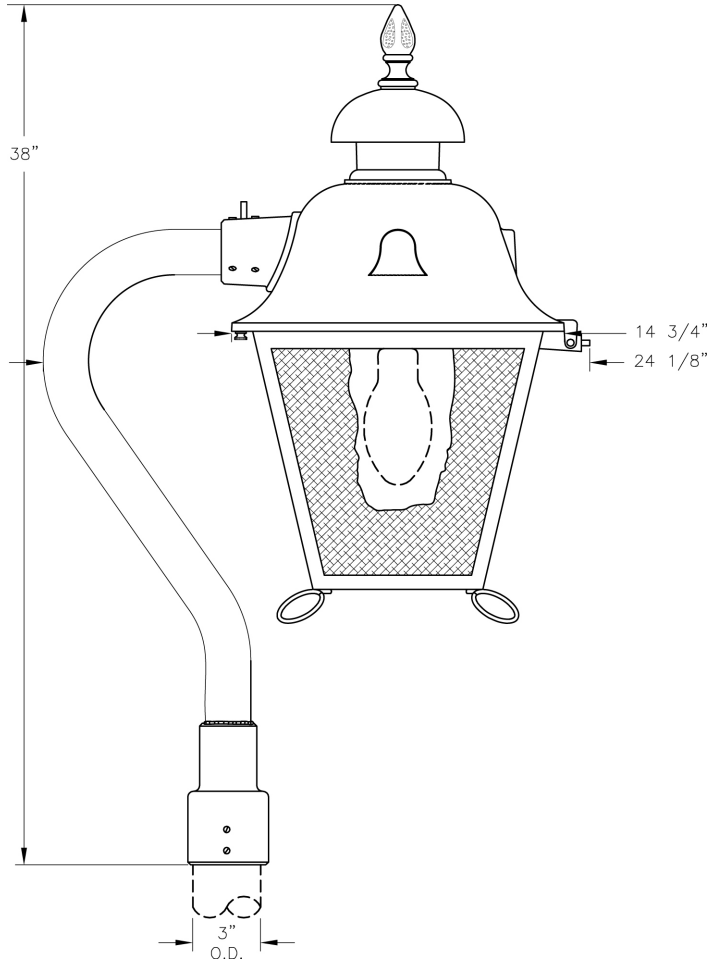


# Grande Jefferson Signature (8437) Specification Sheet

|               |              |                       |
|---------------|--------------|-----------------------|
| Project Name: | Location:    | MFG: Philips Lighting |
| Fixture Type: | Catalog No.: | Qty:                  |



## Ordering Guide

Example: 8437 ABS A D 50H E N B

|                       |  |   |
|-----------------------|--|---|
| <b>Product Code</b>   | 8437   | Grande Jefferson Signature  |
| <b>Finish</b>         | ABS<br>ACP<br>ARD<br>ASI<br>BLK<br>BRN<br>BRZ<br>FGN<br>GRA<br>IRN<br>RBZ<br>SRT<br>VBZ<br>VCP<br>VGN<br>VTC<br>WBZ<br>WHT | Antique Brass<br>Antique Copper<br>Antique Red<br>Antique Silver<br>Black<br>Brown<br>Bronze<br>Forest Green<br>Granite<br>Ironstone<br>Rustic Bronze<br>Shadow Rust<br>Verde Bronze<br>Verde Copper<br>Verde<br>Vintage Copper<br>Weathered<br>Bronze<br>White |
| <b>Panel/Globe</b>    | A<br>B<br>C<br>D<br>E<br>M<br>P<br>Q   | Clear Acrylic<br>Opal Acrylic<br>Clear Seeded Acrylic<br>Bronze Tone Acrylic<br>Clear Textured Acrylic<br>Opal Polycarbonate<br>Clear Polycarbonate<br>Prismatic Polycarbonate  |
| <b>Socket</b>         | D<br>G<br>L<br>R   | Medium<br>Mogul<br>LED<br>Induction   |
| <b>Wattage/Source</b> | 50H<br>70H<br>100H<br>150H<br>35S<br>50S<br>70S<br>100S<br>150S<br>150I<br>55R<br>85R<br>LED                               | 50W MH<br>70W MH<br>100W MH<br>150W MH<br>35W HPS<br>50W HPS<br>70W HPS<br>100W HPS<br>150W HPS<br>150W INC.<br>55W Induction<br>85W Induction<br>LED   |
| <b>Voltage</b>        | E<br>F<br>G<br>H   | 120V<br>208V<br>240V<br>277V  |
| <b>Distribution</b>   | N  | None  |
| <b>Photoeye</b>       | B<br>N   | Button Eye<br>None  |

# Grande Jefferson Signature (8437) Specification Sheet

|               |              |                       |
|---------------|--------------|-----------------------|
| Project Name: | Location:    | MFG: Philips Lighting |
| Fixture Type: | Catalog No.: | Qty:                  |

## Specifications

### CONSTRUCTION:

Cast aluminum finial. Cast aluminum cap and neck. Cast aluminum square hinged roof secures with thumbscrew. Cast aluminum square open bottom cage with aluminum loops securely welded on each corner. 2" dia. extruded aluminum bent bracket arm welded to cast aluminum roof adapter and to post fitter. Cast aluminum post fitter slips over 3" dia. post or tenon.

### FINISH:

Resilient TGIC thermoset polyester powdercoat paint is electrostatically applied to every fixture. Specially formulated for Philips Outdoor Lighting, it provides UV protection, and the highest temperature rating in the industry. In addition to the standard color choices shown, a spectrum of custom colors is available.

### PANELS/LENS/GLOBE:

See lenses for available options.

### LAMPING:

Lamp is not included.

### ELECTRICAL ASSEMBLY:

Lantern will be prewired and tested. All electrical components are ETL listed.

### BALLAST:

Ballast and component parts mounted to square metal plate painted white for higher reflectance. Entire assembly may be removed for field maintenance. (Customer must specify wattage and voltage.)

### MOUNTING:

See template for dimensions & mounting instructions.

### WARRANTY:

Three-year limited warranty.

### CERTIFICATIONS:

ETL Listed to U.S. safety standards for wet locations. cETL Listed to Canadian safety standards for wet locations.

### Height:

38 1/2"

### Width:

14 3/4"

### Fitter:

3" I.D.

### EPA:

2.40

### Max. Weight:

44 lbs.