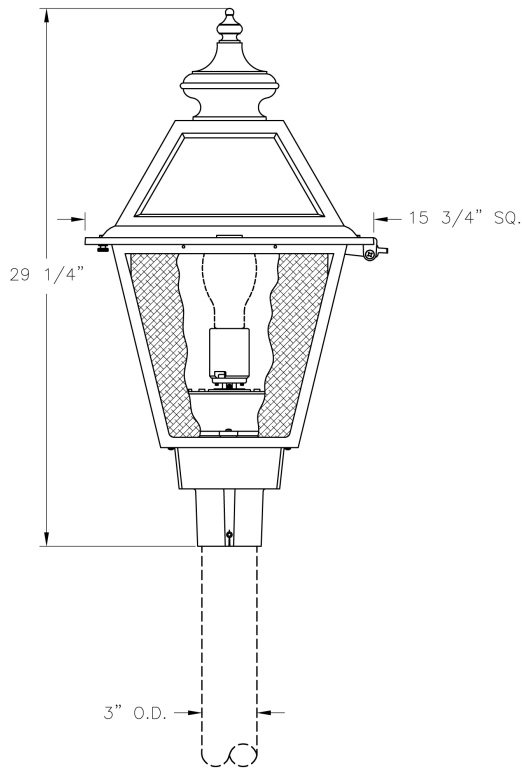


Richmond (9833) Specification Sheet

Project Name:	Location:	MFG: Philips Lighting
Fixture Type:	Catalog No.:	Qty:



Ordering Guide

Example: 9833 ABS A D 50H E B B

Product Code	9833	Richmond
Finish	ABS ACP ARD ASI BLK BRN BRZ FGN GRA IRN RBZ SRT VBZ VCP VGN VTC WBZ WHT	Antique Brass Antique Copper Antique Red Antique Silver Black Brown Bronze Forest Green Granite Ironstone Rustic Bronze Shadow Rust Verde Bronze Verde Copper Verde Vintage Copper Weathered Bronze White
Panel/Globe	A B C D E M P Q	Clear Acrylic Opal Acrylic Clear Seeded Acrylic Bronze Tone Acrylic Clear Textured Acrylic Opal Polycarbonate Clear Polycarbonate Prismatic Polycarbonate
Socket	D G L R	Medium Mogul LED Induction
Wattage/Source	50H 70H 100H 150H 35S 50S 70S 100S 150S 55R 85R LED	50W MH 70W MH 100W MH 150W MH 35W HPS 50W HPS 70W HPS 100W HPS 150W HPS 55W Induction 85W Induction LED
Voltage	E F G H	120V 208V 240V 277V
Distribution	B C D E V	6" Type V Distrib. 6" Type III Distrib. 8" Type V Distrib. 8" Type II Distrib. Type V - Cone (Med. socket)

Richmond (9833) Specification Sheet

Project Name:	Location:	MFG: Philips Lighting
Fixture Type:	Catalog No.:	Qty:

	N	only) None
Photoeye	B N	Button Eye None

Specifications

CONSTRUCTION:

Cast aluminum turned finial top. Cast aluminum solid hinged square roof. Cast aluminum hinged square cage. Cast aluminum post fitter slips over 3" dia. post or tenon.

FINISH:

Resilient TGIC thermoset polyester powdercoat paint is electrostatically applied to every fixture. Specially formulated for Philips Outdoor Lighting, it provides UV protection, and the highest temperature rating in the industry. In addition to the standard color choices shown, a spectrum of custom colors is available.

PANELS/LENS/GLOBE:

See lenses for available options.

LAMPING:

Lamp is not included.

ELECTRICAL ASSEMBLY:

Lantern will be prewired and tested. All electrical components are ETL listed.

BALLAST:

Two-piece moisture proof cast aluminum ballast housing with ballast and component parts mounted inside. (Customer must specify desired type of ballast.)

MOUNTING:

Fixture mounts to 3" dia. post or tenon.

WARRANTY:

Three-year limited warranty.

CERTIFICATIONS:

ETL Listed to U.S. safety standards for wet locations. cETL Listed to Canadian safety standards for wet locations.

Height:

29 1/4"

Width:

15 3/4"

Fitter:

3" I.D.

EPA:

1.96

Max. Weight:

33 lbs.