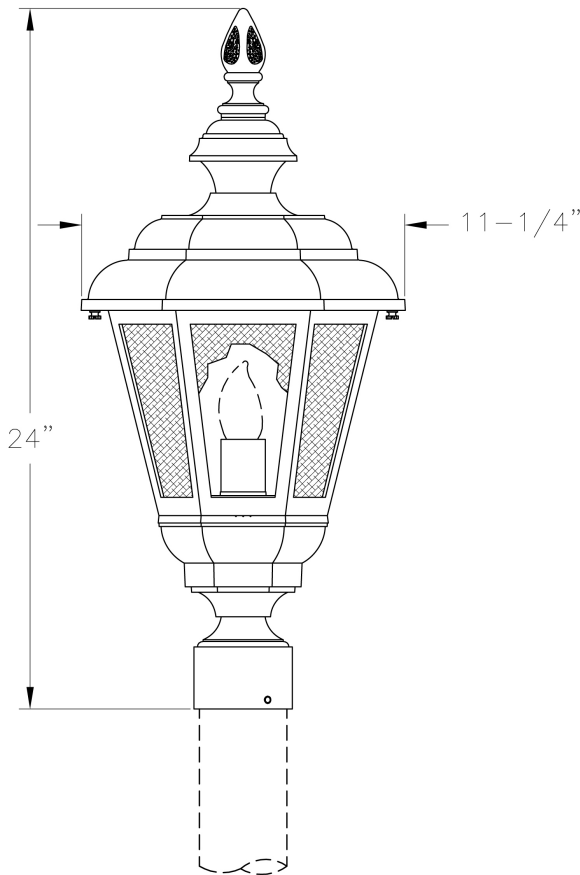


# Jamestown (9935) Specification Sheet

Project Name:	Location:	MFG: Philips Lighting
Fixture Type:	Catalog No.:	Qty:



## Ordering Guide

Example: 9935 ABS A D 100S E N N

Product Code	9935	Jamestown
<b>Finish</b>	ABS ACP ARD ASI BLK BRN BRZ FGN GRA IRN RBZ SRT VBZ VCP VGN VTC WBZ WHT	Antique Brass Antique Copper Antique Red Antique Silver Black Brown Bronze Forest Green Granite Ironstone Rustic Bronze Shadow Rust Verde Bronze Verde Copper Verde Vintage Copper Weathered Bronze White
<b>Panel/Globe</b>	A B C D E M P Q	Clear Acrylic Opal Acrylic Clear Seeded Acrylic Bronze Tone Acrylic Clear Textured Acrylic Opal Polycarbonate Clear Polycarbonate Prismatic Polycarbonate
<b>Socket</b>	D L G	Medium LED Mogul
<b>Wattage/Source</b>	100S 35S 50S 70S 100I LED	100W HPS 35W HPS 50W HPS 70W HPS 100W INC. LED
<b>Voltage</b>	E F G H	120V 208V 240V 277V
<b>Distribution</b>	N B C	None 6" Type V Distrib. 6" Type III Distrib.
<b>Photoeye</b>	N	None

## Specifications

### CONSTRUCTION:

Cast aluminum finial, cap, and neck. Cast aluminum hex roof secures to cage with thumbscrews. Cast aluminum hex cage. Cast aluminum top ballast pod cap and bottom ballast pod housing. Cast aluminum post fitter slips over 3" dia. post or tenon.

# Jamestown (9935) Specification Sheet

Project Name:	Location:	MFG: Philips Lighting
Fixture Type:	Catalog No.:	Qty:

**FINISH:**  
Resilient TGIC thermoset polyester powdercoat paint is electrostatically applied to every fixture. Specially formulated for Philips Outdoor Lighting, it provides UV protection, and the highest temperature rating in the industry. In addition to the standard color choices shown, a spectrum of custom colors is available.

**PANELS/LENS/GLOBE:**  
See lenses for available options.

**LAMPING:**  
Lamp is not included.

**ELECTRICAL ASSEMBLY:**  
Lantern will be prewired and tested. All electrical components are ETL listed.

**BALLAST:**  
Ballast located inside moisture proof compartment. (Customer must specify wattage for 120V only.)

**MOUNTING:**  
Fixture mounts to 3" dia. post or tenon.

**WARRANTY:**  
Three-year limited warranty.

**CERTIFICATIONS:**  
ETL Listed to U.S. safety standards for wet locations. cETL Listed to Canadian safety standards for wet locations.

**Height:**  
24"

**Width:**  
11 1/4"

**Fitter:**  
3" I.D.

**EPA:**  
1.00

**Max. Weight:**  
25 lbs.