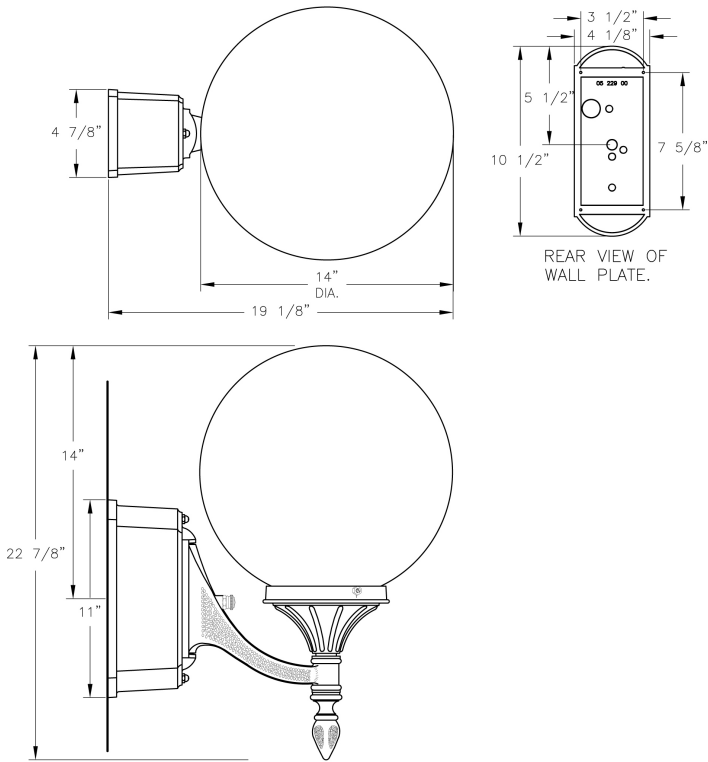


Phoenix IV (16510) Specification Sheet

Project Name:	Location:	MFG: Philips Lighting
Fixture Type:	Catalog No.:	Qty:



Ordering Guide

Example: 16510 ABS B D 50H E N N

Product Code	16510	Phoenix IV
Finish	ABS ACP ARD ASI BLK BRN BRZ FGN GRA IRN RBZ SRT VBZ VCP VGN VTC WBZ WHT	Antique Brass Antique Copper Antique Red Antique Silver Black Brown Bronze Forest Green Granite Ironstone Rustic Bronze Shadow Rust Verde Bronze Verde Copper Verde Vintage Copper Weathered Bronze White
Panel/Globe	B	Opal Acrylic
Socket	D R	Medium Induction
Wattage/Source	50H 70H 35S 50S 70S 60I 55R	50W MH 70W MH 35W HPS 50W HPS 70W HPS 60W INC. 55W Induction
Voltage	E F G H	120V 208V 240V 277V
Distribution	N	None
Photoeye	N	None

Specifications

CONSTRUCTION:

Cast aluminum fluted holder. Cast aluminum knob. Cast aluminum bracket arm and ballast housing with wall plate.

FINISH:

Resilient TGIC thermoset polyester powdercoat paint is electrostatically applied to every fixture. Specially formulated for Philips Outdoor Lighting, it provides UV protection, and the highest temperature rating in the industry. In addition to the standard color choices shown, a spectrum of custom colors is available.

PANELS/LENS/GLOBE:

14" dia. Opal Acrylic sphere

LAMPING:

Lamp is not included.

ELECTRICAL ASSEMBLY:

Lantern will be prewired and tested. All electrical components are ETL listed.

BALLAST:

Ballast mounted inside moisture proof housing. (Customer must specify wattage and voltage.)

MOUNTING:

See template for dimensions & mounting instructions.

Phoenix IV (16510) Specification Sheet

Project Name:	Location:	MFG: Philips Lighting
Fixture Type:	Catalog No.:	Qty:

WARRANTY:

Three-year limited warranty.

CERTIFICATIONS:

ETL Listed to U.S. safety standards for wet locations. cETL Listed to Canadian safety standards for wet locations.

Height:

22 7/8"

Width:

14"

Projection:

19 1/8"

Top to Outlet:

14"

Max. Weight: