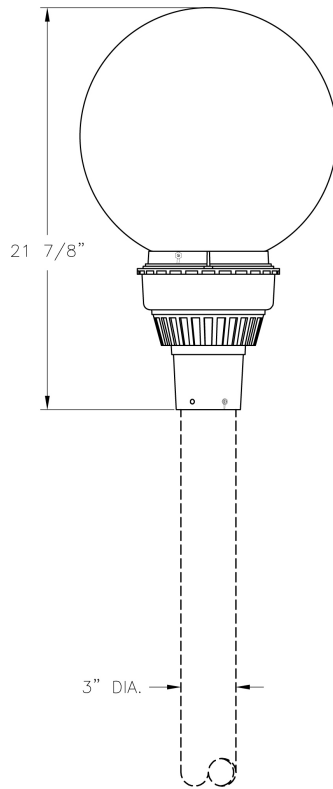


# Phoenix IV (16570) Specification Sheet

Project Name:	Location:	MFG: Philips Lighting
Fixture Type:	Catalog No.:	Qty:



## Ordering Guide

Example: 16570 ABS B D 50H E N N

Product Code	16570	Phoenix IV
<b>Finish</b>	ABS ACP ARD ASI BLK BRN BRZ FGN GRA IRN RBZ SRT VBZ VCP VGN VTC WBZ WHT	Antique Brass Antique Copper Antique Red Antique Silver Black Brown Bronze Forest Green Granite Ironstone Rustic Bronze Shadow Rust Verde Bronze Verde Copper Verde Vintage Copper Weathered Bronze White
<b>Panel/Globe</b>	B	Opal Acrylic
<b>Socket</b>	D	Medium
<b>Wattage/Source</b>	50H 70H 35S 50S 70S 60I	50W MH 70W MH 35W HPS 50W HPS 70W HPS 60W INC.
<b>Voltage</b>	E F G H	120V 208V 240V 277V
<b>Distribution</b>	N	None
<b>Photoeye</b>	N	None

## Specifications

### CONSTRUCTION:

Cast aluminum fitter secures to 3" dia. post or tenon.

### FINISH:

Resilient TGIC thermoset polyester powdercoat paint is electrostatically applied to every fixture. Specially formulated for Philips Outdoor Lighting, it provides UV protection, and the highest temperature rating in the industry. In addition to the standard color choices shown, a spectrum of custom colors is available.

### PANELS/LENS/GLOBE:

14" dia. Opal Acrylic sphere

### LAMPING:

Lamp is not included.

### ELECTRICAL ASSEMBLY:

Lantern will be prewired and tested. All electrical components are ETL listed.

### BALLAST:

Cast aluminum two-piece moisture proof fluted ballast pod. (Customer must specify wattage and voltage.)

### MOUNTING:

Fixture mounts to 3" dia. post or tenon.

### WARRANTY:

Three-year limited warranty.

# Phoenix IV (16570) Specification Sheet

Project Name:	Location:	MFG: Philips Lighting
Fixture Type:	Catalog No.:	Qty:

**CERTIFICATIONS:**

ETL Listed to U.S. safety standards for wet locations. cETL Listed to Canadian safety standards for wet locations.

**Height:**

22"

**Width:**

14"

**Fitter:**

3" I.D.

**EPA:**

1.34

**Max. Weight:**

24 lbs.