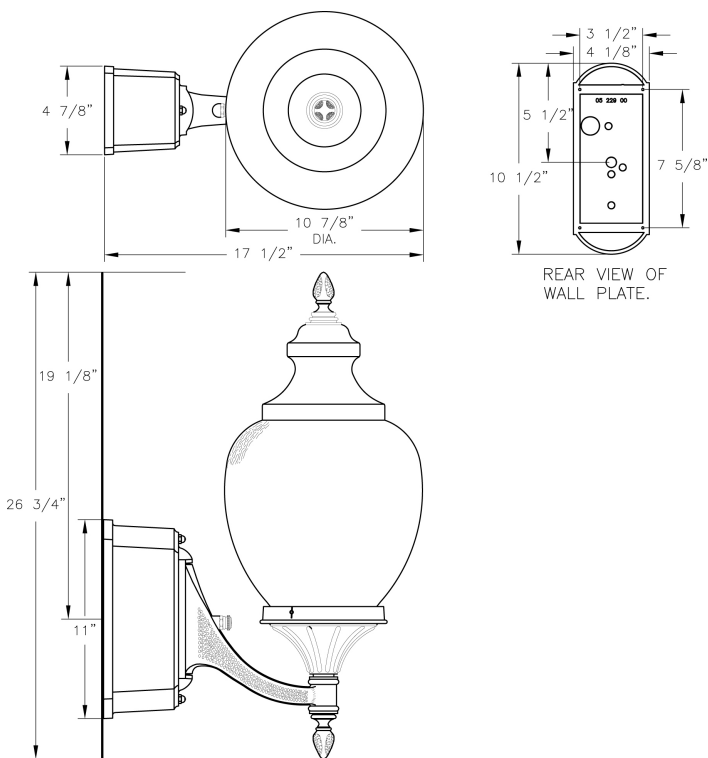


Clifton Park ((DISCONTINUED) 17410) Specification Sheet

Project Name:	Location:	MFG: Philips Lighting
Fixture Type:	Catalog No.:	Qty:



Ordering Guide

Example: (DISCONTINUED) 17410 ABS T D 50H E N B

Product Code	(DISCONTINUED) Clifton Park 17410	
Finish	ABS	Antique Brass
	ACP	Antique Copper
	ARD	Antique Red
	ASI	Antique Silver
	BLK	Black
	BRN	Brown
	BRZ	Bronze
	FGN	Forest Green
	GRA	Granite
	IRN	Ironstone
	RBZ	Rustic Bronze
	SRT	Shadow Rust
	VBZ	Verde Bronze
	VCP	Verde Copper
	VGN	Verde
	VTC	Vintage Copper
	WBZ	Weathered Bronze
	WHT	White
Panel/Globe	T	Lg. Clear Textured Polycarbonate
Socket	D	Medium
Wattage/Source	50H	50W MH
	70H	70W MH
	35S	35W HPS
	50S	50W HPS
	70S	70W HPS
	100S	100W HPS
	100I	100W INC.
Voltage	E	120V
	F	208V
	G	240V
	H	277V
Distribution	N	None
Photoeye	B	Button Eye
	N	None

Specifications

CONSTRUCTION:

Cast aluminum finial. Cast aluminum fluted holder with two weep holes. Cast aluminum knob. Cast aluminum bracket arm and ballast housing with wall plate.

FINISH:

Resilient TGIC thermoset polyester powdercoat paint is electrostatically applied to every fixture. Specially formulated for Philips Outdoor Lighting, it provides UV protection, and the highest temperature rating in the industry. In addition to the standard color choices shown, a spectrum of custom colors is available.

PANELS/LENS/GLOBE:

10 7/8" dia. decorative globe with 6" dia. molded neck, Clear ripple textured polycarbonate, U.V. stabilized.

LAMPING:

Lamp is not included.

ELECTRICAL ASSEMBLY:

Lantern will be prewired and tested. All electrical components are ETL listed.

BALLAST:

Clifton Park ((DISCONTINUED) 17410) Specification Sheet

Project Name:	Location:	MFG: Philips Lighting
Fixture Type:	Catalog No.:	Qty:

Ballast mounted inside moisture proof housing. (Customer must specify wattage and voltage.)

MOUNTING:

See template for dimensions & mounting instructions.

WARRANTY:

Three-year limited warranty.

CERTIFICATIONS:

ETL Listed to U.S. safety standards for wet locations. cETL Listed to Canadian safety standards for wet locations.

Height:

26 1/2"

Width:

11"

Projection:

17 1/2"

Top to Outlet:

19 1/8"

Max. Weight:

25 lbs.