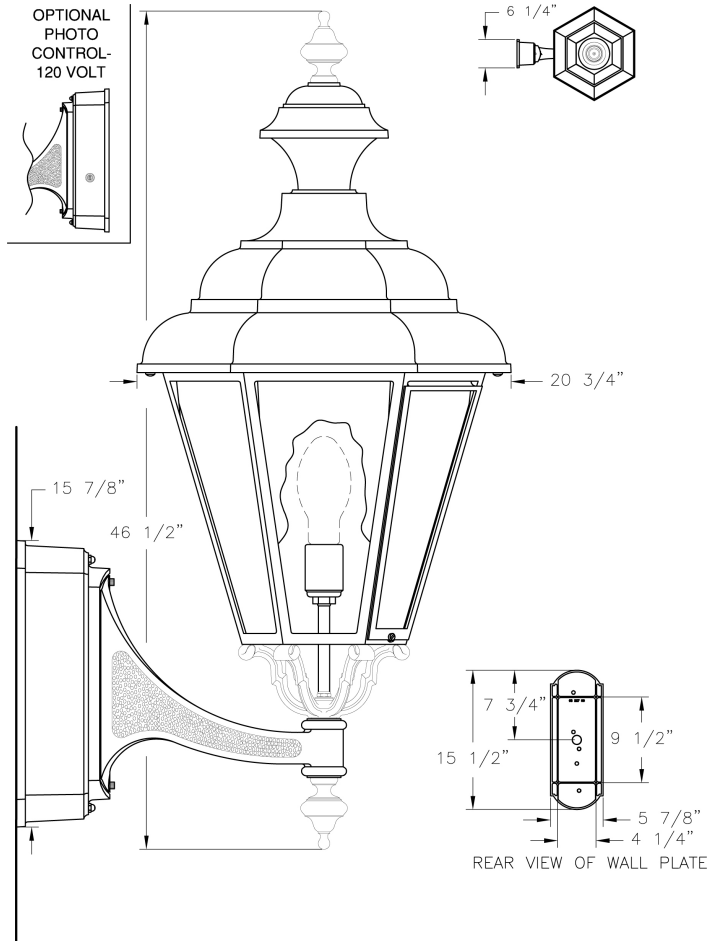


# Grande Jamestown (30810) Specification Sheet

Project Name:	Location:	MFG: Philips Lighting
Fixture Type:	Catalog No.:	Qty:



## Ordering Guide

Example: 30810 ABS A D 50H E B B

<b>Product Code</b>	30810	Grande Jamestown
<b>Finish</b>	ABS ACP ARD ASI BLK BRN BRZ FGN GRA IRN RBZ SRT VBZ VCP VGN VTC WBZ WHT	Antique Brass Antique Copper Antique Red Antique Silver Black Brown Bronze Forest Green Granite Ironstone Rustic Bronze Shadow Rust Verde Bronze Verde Copper Verde Vintage Copper Weathered Bronze White
<b>Panel/Globe</b>	A B C D E M P Q	Clear Acrylic Opal Acrylic Clear Seeded Acrylic Bronze Tone Acrylic Clear Textured Acrylic Opal Polycarbonate Clear Polycarbonate Prismatic Polycarbonate
<b>Socket</b>	D G L R	Medium Mogul LED Induction
<b>Wattage/Source</b>	50H 70H 100H 150H 35S 50S 70S 100S 150S 150I 55R 85R LED	50W MH 70W MH 100W MH 150W MH 35W HPS 50W HPS 70W HPS 100W HPS 150W HPS 150W INC. 55W Induction 85W Induction LED
<b>Voltage</b>	E F G H	120V 208V 240V 277V
<b>Distribution</b>	B C D E	6" Type V Distrib. 6" Type III Distrib. 8" Type V Distrib. 8" Type II Distrib.

# Grande Jamestown (30810) Specification Sheet

Project Name:	Location:	MFG: Philips Lighting
Fixture Type:	Catalog No.:	Qty:

	N	None
<b>Photoeye</b>	B	Button Eye
	N	None

## Specifications

### CONSTRUCTION:

Cast aluminum finial, cap, and neck. Cast aluminum hex roof. Cast aluminum hex cage with frog bottom and removable door. Cast aluminum knob. Cast aluminum bracket arm and ballast housing with wall plate.

### FINISH:

Resilient TGIC thermoset polyester powdercoat paint is electrostatically applied to every fixture. Specially formulated for Philips Outdoor Lighting, it provides UV protection, and the highest temperature rating in the industry. In addition to the standard color choices shown, a spectrum of custom colors is available.

### PANELS/LENS/GLOBE:

See lenses for available options.

### LAMPING:

Lamp is not included.

### ELECTRICAL ASSEMBLY:

Lantern will be prewired and tested. All electrical components are ETL listed.

### BALLAST:

Ballast mounted inside moisture proof housing. (Customer must specify wattage and voltage.)

### MOUNTING:

See template for dimensions & mounting instructions.

### WARRANTY:

Three-year limited warranty.

### CERTIFICATIONS:

ETL Listed to U.S. safety standards for wet locations. cETL Listed to Canadian safety standards for wet locations.

### Height:

46 1/2"

### Width:

20 3/4"

### Projection:

26 1/8"

### Top to Outlet:

37 1/4"

### Max. Weight:

47 lbs.