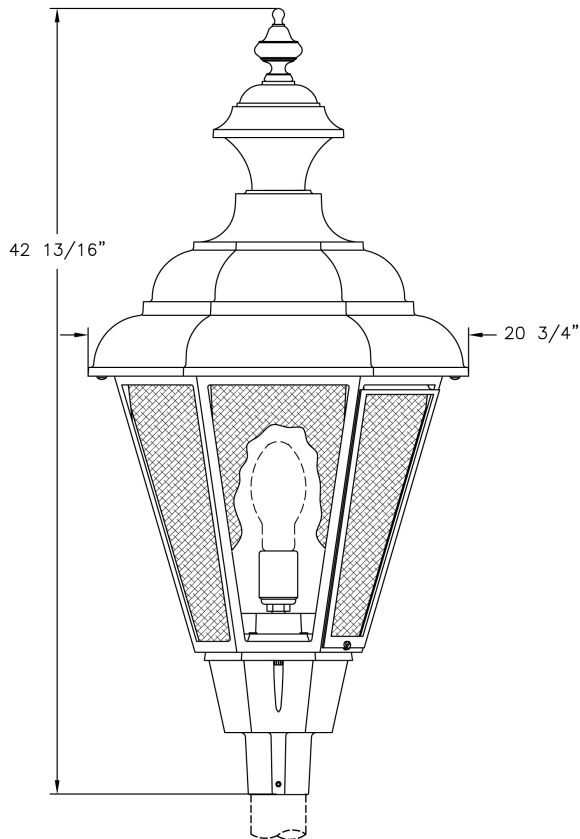


# Grande Jamestown (30834) Specification Sheet

Project Name:	Location:	MFG: Philips Lighting
Fixture Type:	Catalog No.:	Qty:



## Ordering Guide

Example: 30834 ABS A D 50H E B B

<b>Product Code</b>	30834	Grande Jamestown
<b>Finish</b>	ABS ACP ARD ASI BLK BRN BRZ FGN GRA IRN RBZ SRT VBZ VCP VGN VTC WBZ WHT	Antique Brass Antique Copper Antique Red Antique Silver Black Brown Bronze Forest Green Granite Ironstone Rustic Bronze Shadow Rust Verde Bronze Verde Copper Verde Vintage Copper Weathered Bronze White
<b>Panel/Globe</b>	A B C D E M P Q	Clear Acrylic Opal Acrylic Clear Seeded Acrylic Bronze Tone Acrylic Clear Textured Acrylic Opal Polycarbonate Clear Polycarbonate Prismatic Polycarbonate
<b>Socket</b>	D G L R	Medium Mogul LED Induction
<b>Wattage/Source</b>	50H 70H 100H 150H 250H 35S 50S 70S 100S 150S 250S 200I 55R 85R 165R LED	50W MH 70W MH 100W MH 150W MH 250W MH 35W HPS 50W HPS 70W HPS 100W HPS 150W HPS 250W HPS 200W INC 55W Induction 85W Induction 165W Induction LED
<b>Voltage</b>	E F G H	120V 208V 240V 277V
<b>Distribution</b>	B C D	6" Type V Distrib. 6" Type III Distrib. 8" Type V

# Grande Jamestown (30834) Specification Sheet

Project Name:	Location:	MFG: Philips Lighting
Fixture Type:	Catalog No.:	Qty:

	E	Distrib. 8" Type II
	M	Distrib. Type III - Cutoff
	P	Optic Type V - Cutoff
	V	Optics Type V - Cone
	N	None
<b>Photoeye</b>	B	Button Eye
	N	None

## Specifications

### CONSTRUCTION:

Cast aluminum finial, cap, and neck. Cast aluminum hex roof. Cast aluminum hex cage with removable door for easy relamping. Cast aluminum post fitter slips over 3" O.D. post or tenon.

### FINISH:

Resilient TGIC thermoset polyester powdercoat paint is electrostatically applied to every fixture. Specially formulated for Philips Outdoor Lighting, it provides UV protection, and the highest temperature rating in the industry. In addition to the standard color choices shown, a spectrum of custom colors is available.

### PANELS/LENS/GLOBE:

See lenses for available options.

### LAMPING:

Lamp is not included.

### ELECTRICAL ASSEMBLY:

Lantern will be prewired and tested. All electrical components are ETL listed.

### BALLAST:

Ballast and component parts mounted inside two-piece cast aluminum moisture proof ballast compartment. (Customer must specify wattage and voltage.)

### MOUNTING:

Fixture mounts to 3" dia. post or tenon.

### WARRANTY:

Three-year limited warranty.

### CERTIFICATIONS:

ETL Listed to U.S. safety standards for wet locations. cETL Listed to Canadian safety standards for wet locations.

### Height:

42 3/4"

### Width:

20 3/4"

### Fitter:

3" I.D.

### EPA:

2.60

### Max. Weight:

47 lbs.