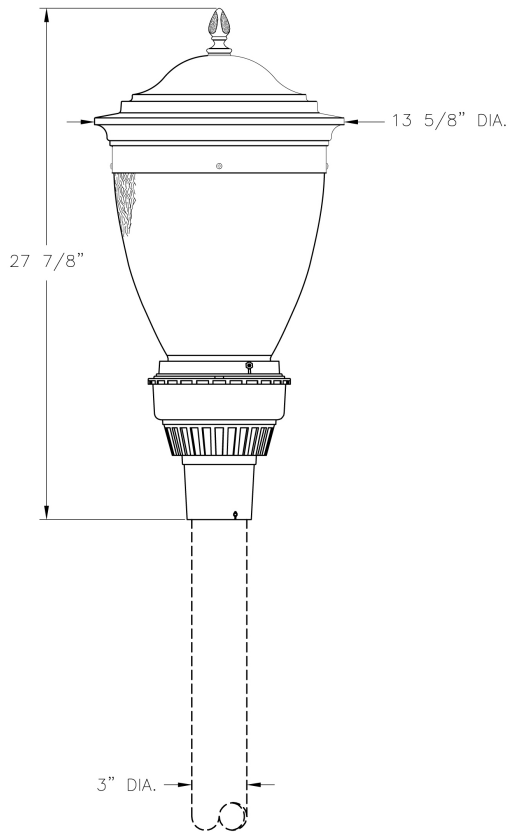


# North Hills (33030) Specification Sheet

Project Name:	Location:	MFG: Philips Lighting
Fixture Type:	Catalog No.:	Qty:



## Ordering Guide

Example: 33030 A ABS T D 50H E P N G

<b>Product Code</b>	33030	North Hills
<b>Dome/Roof</b>	A C	Aluminum Copper
<b>Finish</b>	ABS ACP ARD ASI BLK BRN BRZ FGN GRA IRN RBZ SRT VBZ VCP VGN VTC WBZ WHT	Antique Brass Antique Copper Antique Red Antique Silver Black Brown Bronze Forest Green Granite Ironstone Rustic Bronze Shadow Rust Verde Bronze Verde Copper Verde Vintage Copper Weathered Bronze White
<b>Panel/Globe</b>	T	Lg. Clear Textured Polycarbonate
<b>Socket</b>	D	Medium
<b>Wattage/Source</b>	50H 70H 35S 50S 70S 10S 10I	50W MH 70W MH 35W HPS 50W HPS 70W HPS 100W HPS 100W INC
<b>Voltage</b>	E F G H	120V 208V 240V 277V
<b>Distribution</b>	P N	Type V - Cutoff Optics None
<b>Photoeye</b>	N	None
<b>Cage</b>	G N	Grosse Pointe None

## Specifications

### CONSTRUCTION:

Cast aluminum finial. Spun Copper roof. Four-piece die-cast aluminum top ring bolted to four-piece die-cast aluminum legs. Cast aluminum fluted ballast pod / fitter. Fitter slips over 3" O.D. post or tenon.

### FINISH:

Resilient TGIC thermoset polyester powdercoat paint is electrostatically applied to every fixture. Specially formulated for Philips Outdoor Lighting, it provides UV protection, and the highest temperature rating in the industry. In addition to the standard color choices shown, a spectrum of custom colors is available.

### PANELS/LENS/GLOBE:

Clear Ripple Texture Polycarbonate Globe U.V. stabilized.

### LAMPING:

Lamp is not included.

# North Hills (33030) Specification Sheet

Project Name:	Location:	MFG: Philips Lighting
Fixture Type:	Catalog No.:	Qty:

**ELECTRICAL ASSEMBLY:**

Lantern will be prewired and tested. All electrical components are ETL listed.

**BALLAST:**

Ballast and component parts mounted inside two-piece cast aluminum moisture proof ballast compartment. (Customer must specify wattage and voltage desired.)

**MOUNTING:**

Fixture mounts to 3" dia. post or tenon.

**WARRANTY:**

Three-year limited warranty.

**CERTIFICATIONS:**

ETL Listed to U.S. safety standards for wet locations. cETL Listed to Canadian safety standards for wet locations.

**Height:**

27 7/8"

**Width:**

13 5/8"

**Fitter:**

3" I.D.

**EPA:**

1.43 or 1.53

**Max. Weight:**

33 lbs.