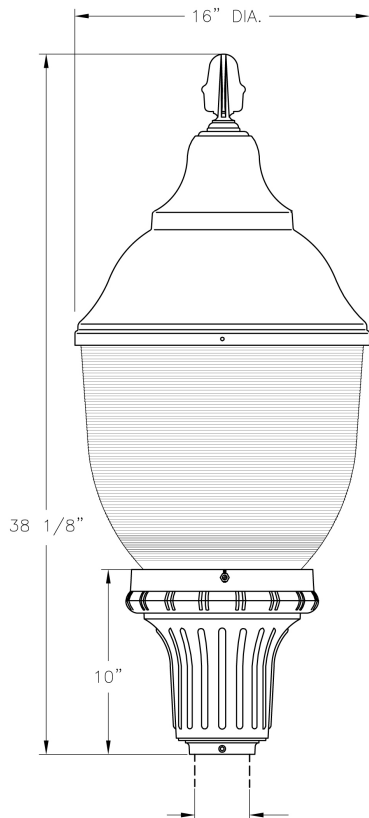


Sawgrass (33500) Specification Sheet

Project Name:	Location:	MFG: Philips Lighting
Fixture Type:	Catalog No.:	Qty:



Ordering Guide

Example: 33500 ABS A D 50H E 3 B G

Product Code	33500	Sawgrass
Finish	ABS ACP ARD ASI BLK BRN BRZ FGN GRA IRN RBZ SRT VBZ VCP VGN VTC WBZ WHT	Antique Brass Antique Copper Antique Red Antique Silver Black Brown Bronze Forest Green Granite Ironstone Rustic Bronze Shadow Rust Verde Bronze Verde Copper Verde Vintage Copper Weathered Bronze White
Panel/Globe	A P	Clear Acrylic Clear Polycarbonate
Socket	D G L R	Medium Mogul LED Induction
Wattage/Source	50H 70H 10H 15H 25H 35S 50S 70S 10S 15S 25S 15I 55R 85R 16R LED	50W MH 70W MH 100W MH 150W MH 250W MH 35W HPS 50W HPS 70W HPS 100W HPS 150W HPS 250W HPS 150W INC. 55W Induction 85W Induction 165W Induction LED
Voltage	E F G H	120V 208V 240V 277V
Distribution	3 5	Type III - Refractive Globe Type V - Refractive Globe
Photoeye	B N	Button Eye None
Cage	G N	Grosse Pointe None

Specifications

CONSTRUCTION:

Cast aluminum finial. Spun Aluminum Roof. Die-cast aluminum decorative band and legs. Fitter slips over 3" dia. post or tenon.

Sawgrass (33500) Specification Sheet

Project Name:	Location:	MFG: Philips Lighting
Fixture Type:	Catalog No.:	Qty:

FINISH:
Resilient TGIC thermoset polyester powdercoat paint is electrostatically applied to every fixture. Specially formulated for Philips Outdoor Lighting, it provides UV protection, and the highest temperature rating in the industry. In addition to the standard color choices shown, a spectrum of custom colors is available.

PANELS/LENS/GLOBE:
See lenses for available options.

LAMPING:
Lamp is not included.

ELECTRICAL ASSEMBLY:
Lantern will be prewired and tested. All electrical components are ETL listed.

BALLAST:
Two piece cast aluminum watertight ballast compartment with 16 flutes. (Customer must specify ballast wattage and voltage required.)

MOUNTING:
Fixture mounts to 3" dia. post or tenon.

WARRANTY:
Three-year limited warranty.

CERTIFICATIONS:
ETL Listed to U.S. safety standards for wet locations. cETL Listed to Canadian safety standards for wet locations.

Height:
38 1/2"

Width:
16" or 17"

Fitter:
3" I.D.

EPA:
2.30 or 2.35

Max. Weight:
31 lbs.